

Ротаторы. Серия GV 6. Технические характеристики.

По вопросам продаж и поддержки обращайтесь: itd@nt-rt.ru

www.indexator.nt-rt.ru

Архангельск (8182)63-90-72
Астана (7172)727-132
Астрахань (8512)99-46-04
Барнаул (3852)73-04-60
Белгород (4722)40-23-64
Брянск (4832)59-03-52
Владивосток (423)249-28-31
Волгоград (844)278-03-48
Вологда (8172)26-41-59
Воронеж (473)204-51-73
Екатеринбург (343)384-55-89
Иваново (4932)77-34-06
Ижевск (3412)26-03-58
Иркутск (395)279-98-46
Казань (843)206-01-48
Калининград (4012)72-03-81
Калуга (4842)92-23-67
Кемерово (3842)65-04-62

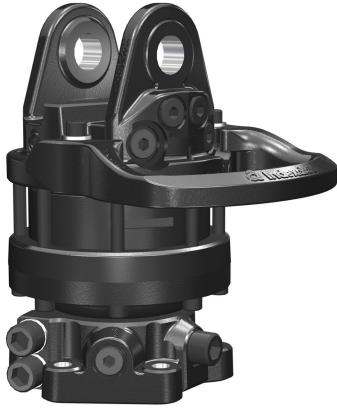
Киров (8332)68-02-04
Краснодар (861)203-40-90
Красноярск (391)204-63-61
Курск (4712)77-13-04
Липецк (4742)52-20-81 Магнитогорск
(3519)55-03-13 Москва
(495)268-04-70
Мурманск (8152)59-64-93
Набережные Челны (8552)20-53-41
Нижний Новгород (831)429-08-12
Новокузнецк (3843)20-46-81
Новосибирск (383)227-86-73 Омск
(3812)21-46-40
Орел (4862)44-53-42
Оренбург (3532)37-68-04
Пенза (8412)22-31-16
Пермь (342)205-81-47
Ростов-на-Дону (863)308-18-15
Рязань (4912)46-61-64

Самара (846)206-03-16
Санкт-Петербург (812)309-46-40
Саратов (845)249-38-78
Севастополь (8692)22-31-93
Симферополь (3652)67-13-56
Смоленск (4812)29-41-54 Сочи
(862)225-72-31 Ставрополь
(8652)20-65-13 Сургут
(3462)77-98-35
Тверь (4822)63-31-35
Томск (3822)98-41-53
Тула (4872)74-02-29
Тюмень (3452)66-21-18
Ульяновск (8422)24-23-59 Уфа
(347)229-48-12 Хабаровск
(4212)92-98-04
Челябинск (351)202-03-61
Череповец (8202)49-02-64
Ярославль (4852)69-52-93

Казахстан (7273)495-231

Киргизия (996)312-96-26-47

Таджикистан (992)427-82-92-69



Rotator GV 6

Technical data

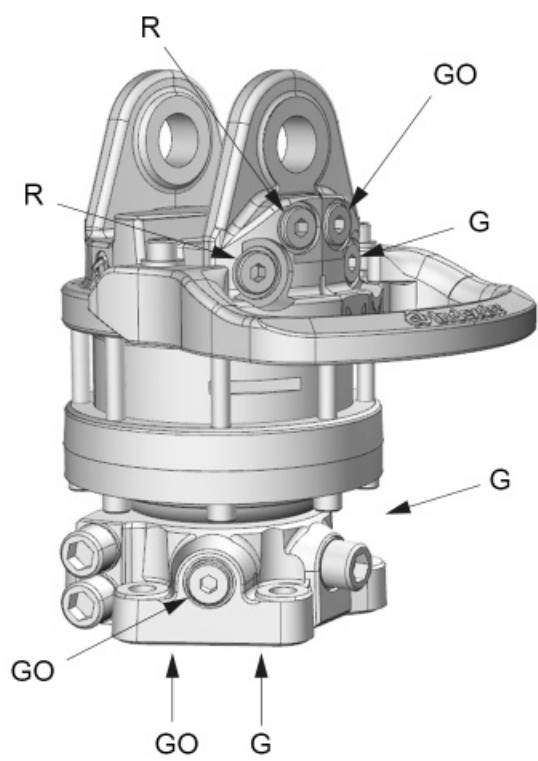
Part No.	5006285
Type of rotator	Grapple rotator
Weight	44.9 kg
Rotation	360 degrees
Max axial load, static	60 kN
Max axial load, dynamic	25 kN
Torque at 20 Mpa	1400 Nm
Rotation max oilflow	25 l/min
Rotation max working pressure	20 MPa
Grapple open max working pressure	20 MPa
Grapple close max working pressure	30 MPa

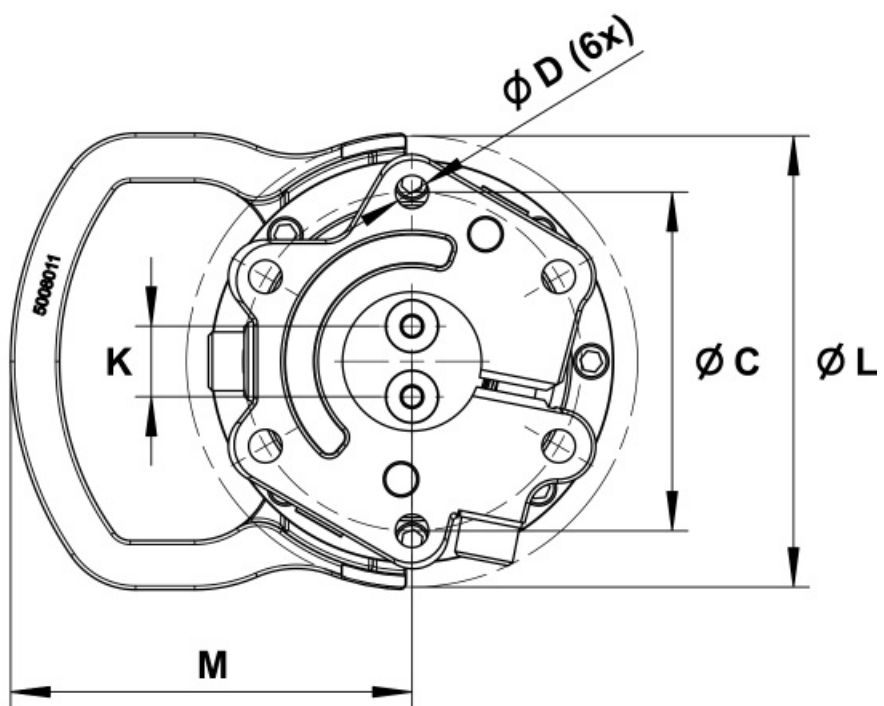
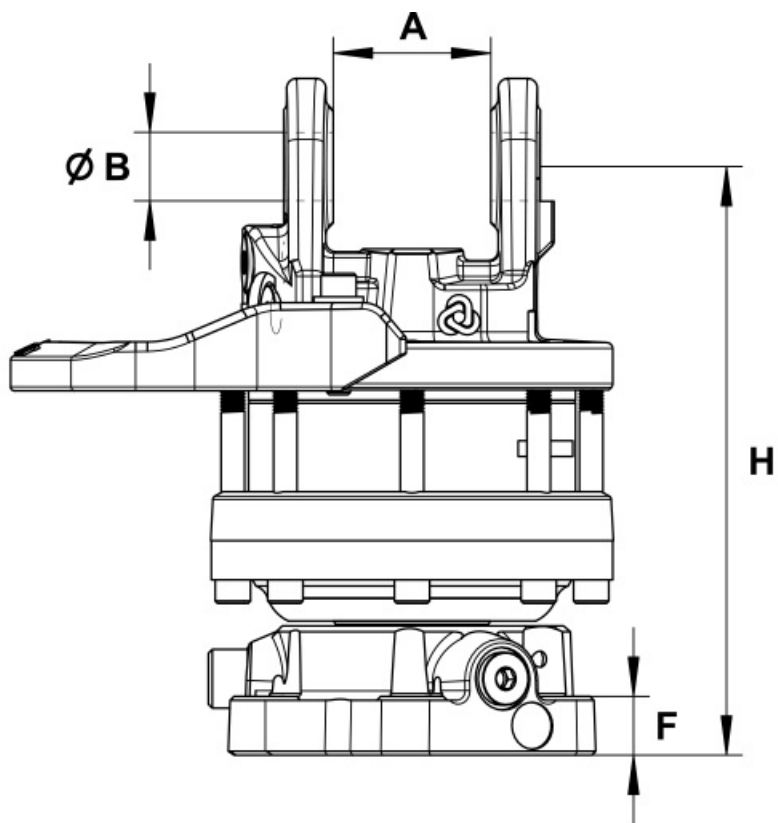
Interface

Upper interface	80 mm
Lower interface	Ø 173 mm

Adapter sets are available for alternative connections.

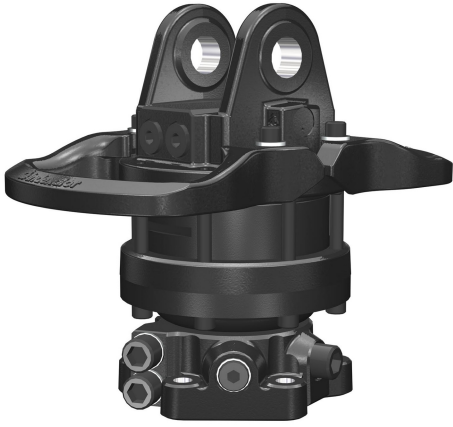
We reserve the right to make product changes.





GV 6	
A	80,5 mm
B	Ø35 mm
C	Ø173 mm
D	Ø17 mm
F	30 mm
H	300 mm
K	36 mm
L	Ø231 mm
M	205 mm

Connections	
Upper connection	G 1/2
Lower connection	G 1/2



Rotator GV 6-2

Technical data

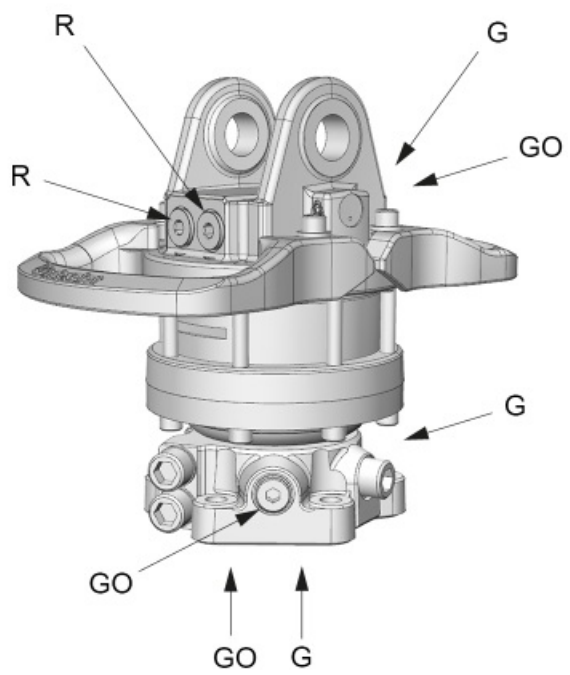
Part No.	5006167
Type of rotator	Grapple rotator
Weight	48.5 kg
Rotation	360 degrees
Max axial load, static	60 kN
Max axial load, dynamic	25 kN
Torque at 20 Mpa	1400 Nm
Rotation max oilflow	25 l/min
Rotation max working pressure	20 MPa
Grapple open max working pressure	20 MPa
Grapple close max working pressure	30 MPa

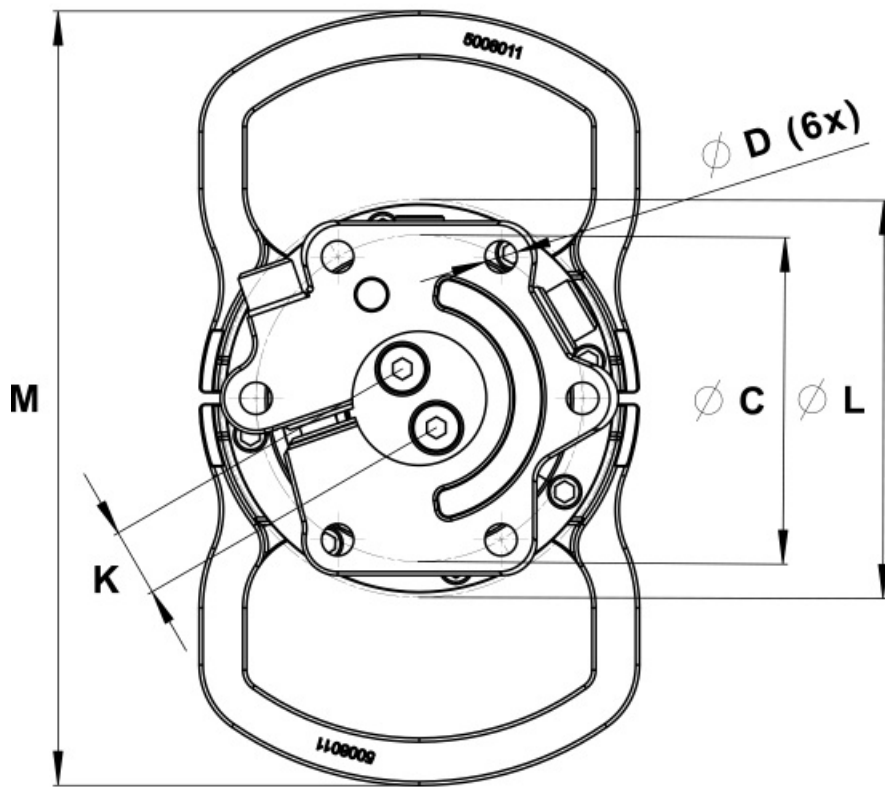
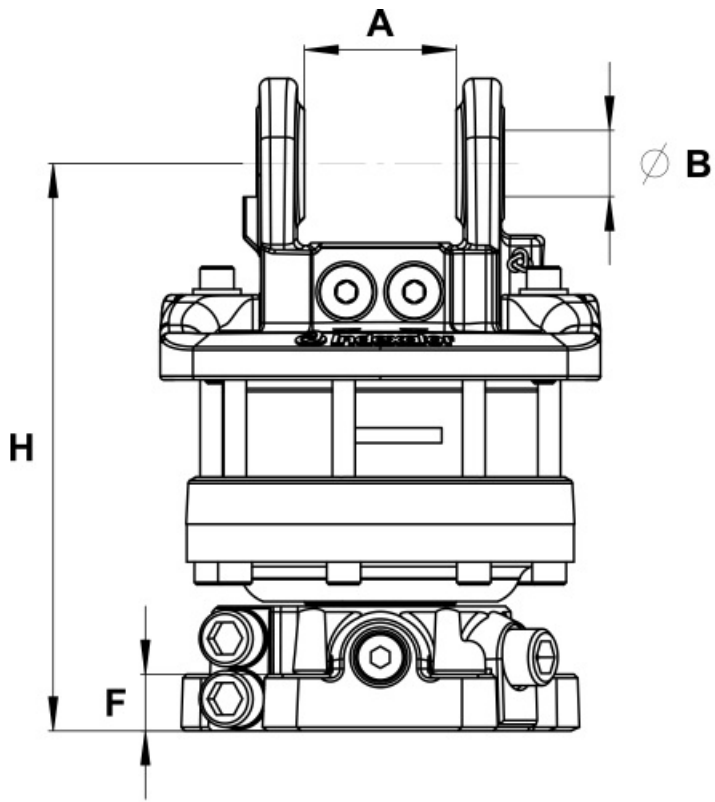
Interface

Upper interface	80 mm
Lower interface	Ø 173 mm

Adapter sets are available for alternative connections.

We reserve the right to make product changes.



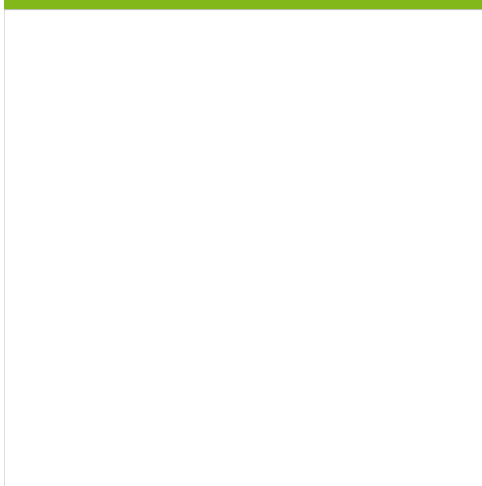


GV 6-2

A	80,5 mm
B	Ø35 mm
C	Ø173 mm
D	Ø17 mm
F	30 mm
H	300 mm
K	36 mm
L	Ø231 mm
M	410 mm

Connections

Upper connection	G 1/2
Lower connection	G 1/2



Rotator GV 6 -59/25 P

Technical data

Part No.	5006251
Type of rotator	Grapple rotator
Weight	37.8 kg
Rotation	360 degrees
Max axial load, static	60 kN
Max axial load, dynamic	25 kN
Torque at 20 Mpa	1400 Nm
Rotation max oilflow	25 l/min
Rotation max working pressure	20 MPa
Grapple open max working pressure	20 MPa
Grapple close max working pressure	30 MPa

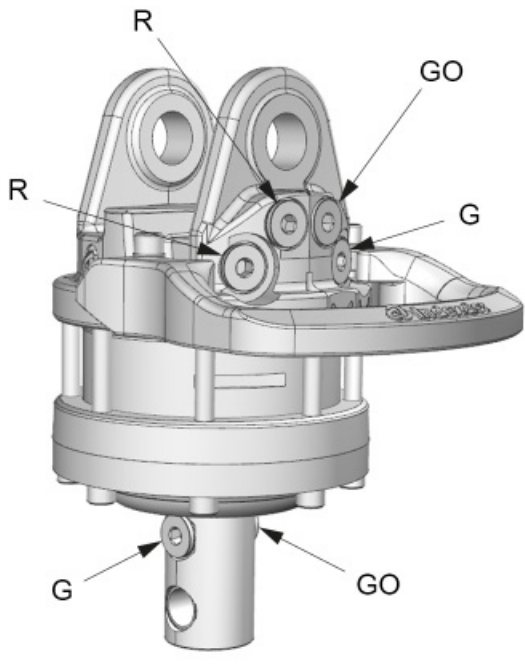
Interface

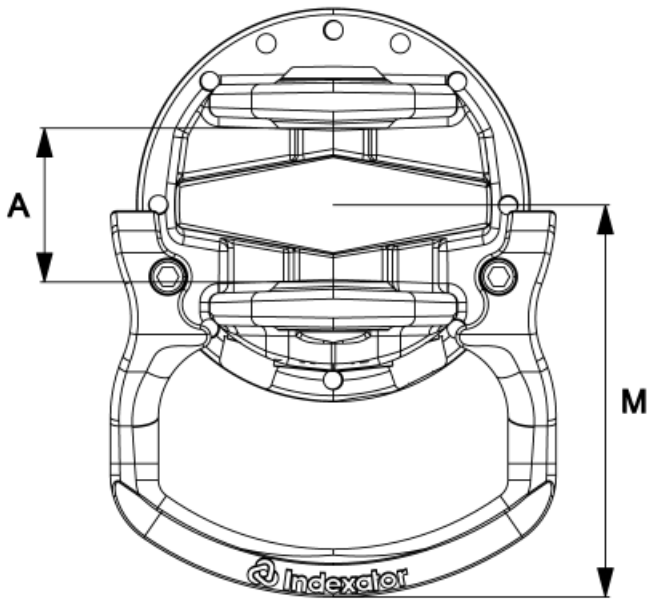
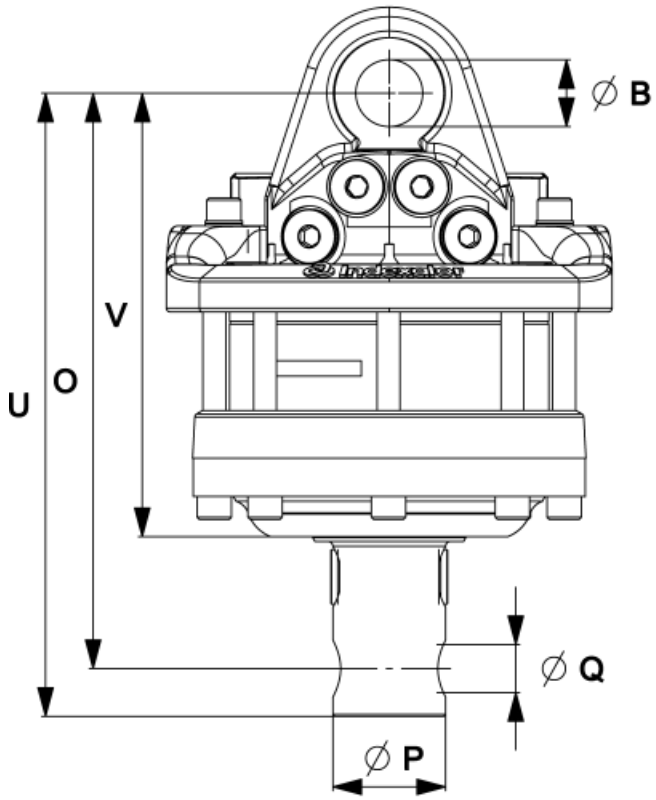
Upper interface	80 mm
Lower interface	Ø 59 mm

Rotator where the connections and tap hole through the shaft are parallel.

Adapter sets are available for alternative connections.

We reserve the right to make product changes.





GV 6 -59/25 P

A	80,5 mm
B	Ø35 mm
M	205 mm
O	301 mm
P	Ø59 mm
Q	Ø25 mm
U	326 mm
V	232 mm

Connections

Upper connection	G 1/2
Lower connection	G 1/2



Rotator GV 6 -68/30 P

Technical data

Part No.	5006252
Type of rotator	Grapple rotator
Weight	38.8 kg
Rotation	360 degrees
Max axial load, static	60 kN
Max axial load, dynamic	25 kN
Torque at 20 Mpa	1400 Nm
Rotation max oilflow	25 l/min
Rotation max working pressure	20 MPa
Grapple open max working pressure	20 MPa
Grapple close max working pressure	30 MPa

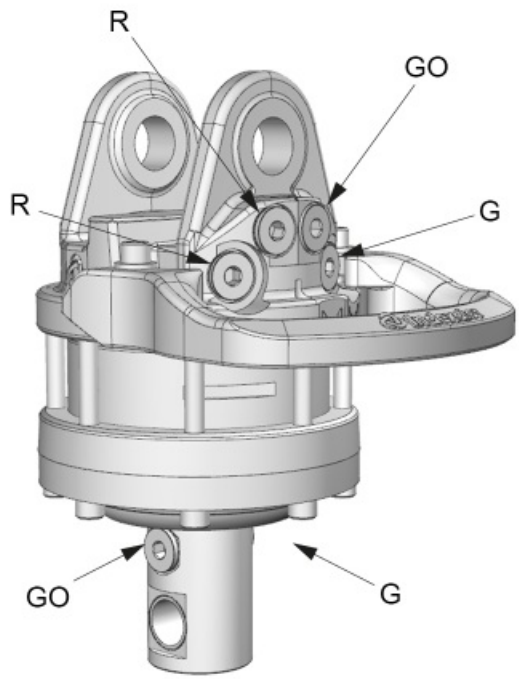
Interface

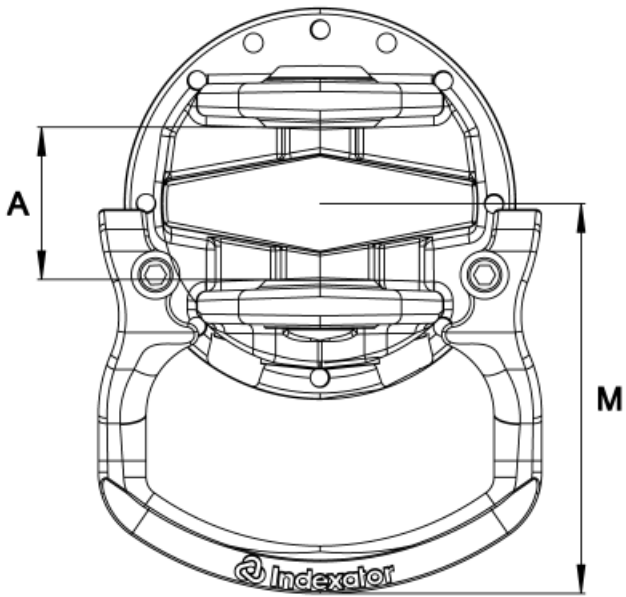
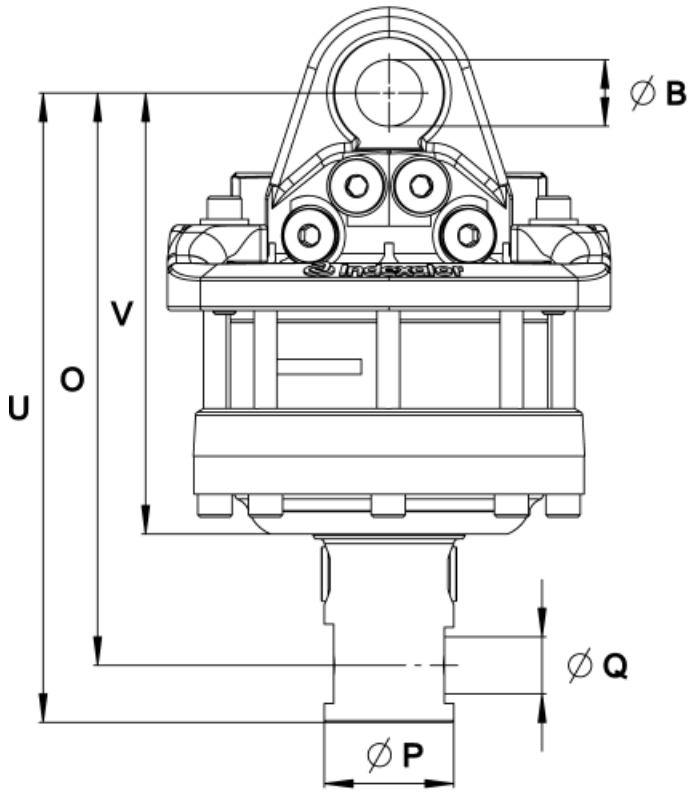
Upper interface	80 mm
Lower interface	Ø 68 mm

Rotator where the connections and tap hole through the shaft are parallel.

Adapter sets are available for alternative connections.

We reserve the right to make product changes.





GV 6 -68/30 P

A	80,5 mm
B	Ø35 mm
M	205 mm
O	301 mm
P	Ø68 mm
Q	Ø30 mm
U	331 mm
V	232 mm

Connections

Upper connection	G 1/2
Lower connection	G 1/2



Rotator GV 6 -69/30

Technical data

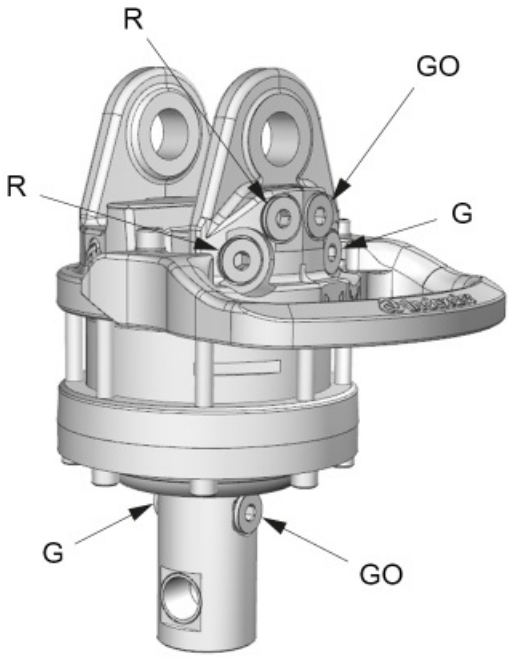
Part No.	5006295
Type of rotator	Grapple rotator
Weight	39 kg
Rotation	360 degrees
Max axial load, static	60 kN
Max axial load, dynamic	25 kN
Torque at 20 Mpa	1400 Nm
Rotation max oilflow	25 l/min
Rotation max working pressure	20 MPa
Grapple open max working pressure	20 MPa
Grapple close max working pressure	30 MPa

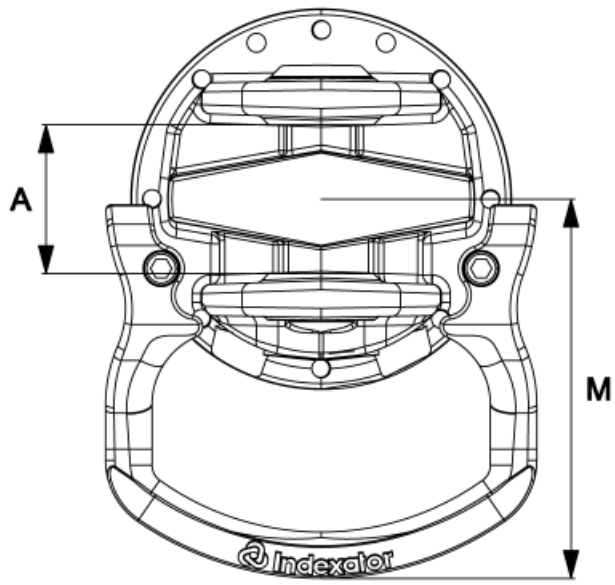
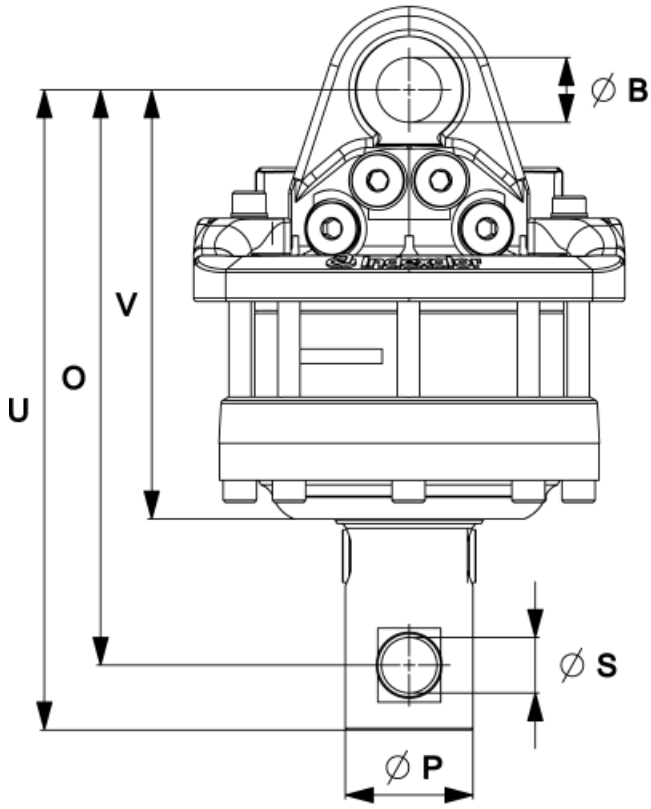
Interface

Upper interface	80 mm
Lower interface	Ø 69 mm

Adapter sets are available for alternative connections.

We reserve the right to make product changes.





GV 6 -69/30

A	80,5 mm
B	Ø35 mm
M	205 mm
O	311 mm
P	Ø69 mm
S	Ø30 mm
U	346 mm
V	232 mm

Connections

Upper connection	G 1/2
Lower connection	G 1/2



Rotator GV 6 -69/30 P

Technical data

Part No.	5006296
Type of rotator	Grapple rotator
Weight	39 kg
Rotation	360 degrees
Max axial load, static	60 kN
Max axial load, dynamic	25 kN
Torque at 20 Mpa	1400 Nm
Rotation max oilflow	25 l/min
Rotation max working pressure	20 MPa
Grapple open max working pressure	20 MPa
Grapple close max working pressure	30 MPa

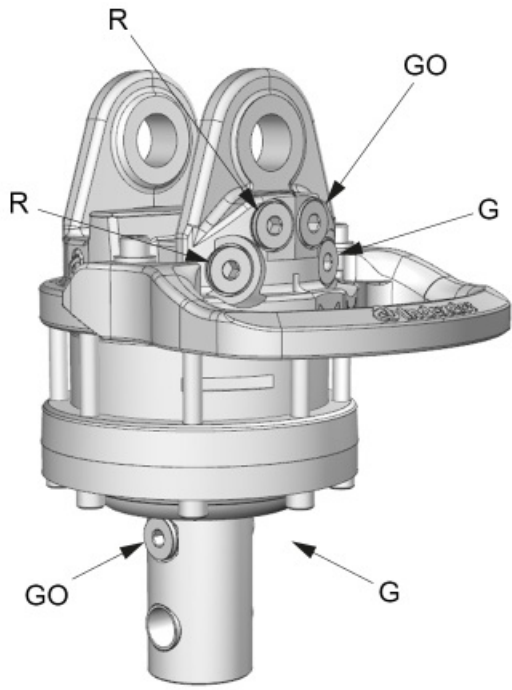
Interface

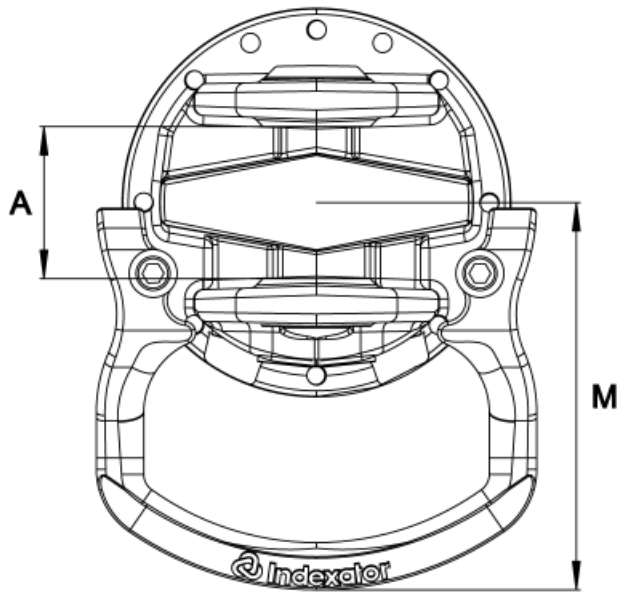
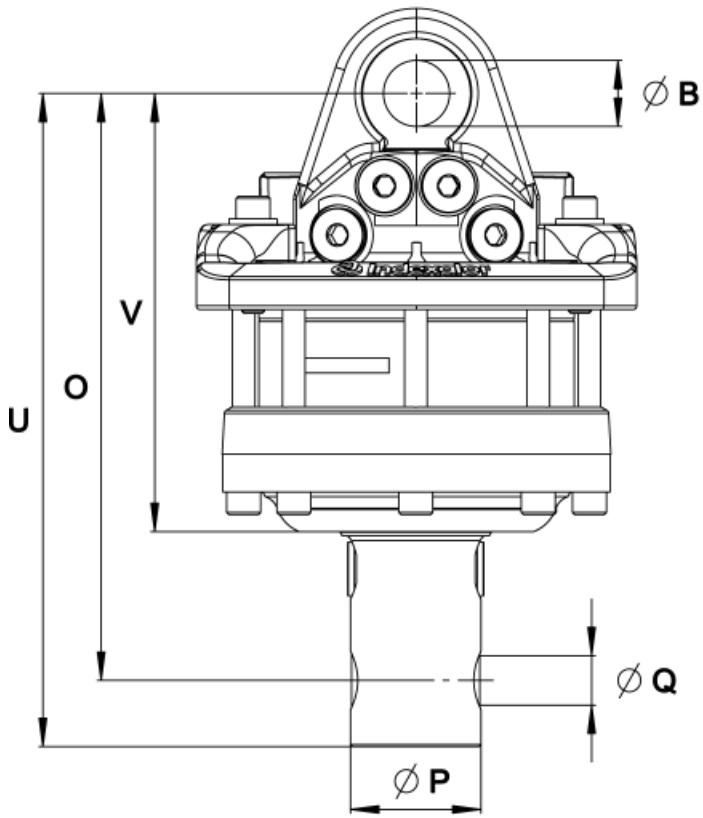
Upper interface	80 mm
Lower interface	Ø 69 mm

Rotator where the connections and tap hole through the shaft are parallel.

Adapter sets are available for alternative connections.

We reserve the right to make product changes.





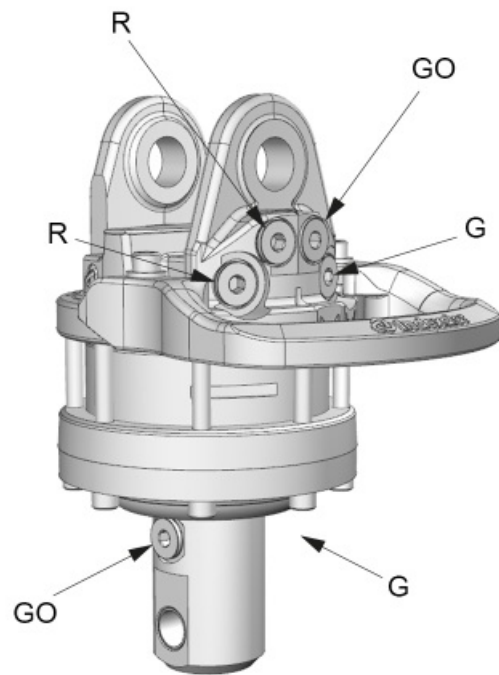
GV 6 -69/30 P

A	80,5 mm
B	Ø35 mm
M	205 mm
O	311 mm
P	Ø69 mm
Q	Ø30 mm
U	346 mm
V	232 mm

Connections

Upper connection	G 1/2
Lower connection	G 1/2

Rotator GV 6 -78/25 P



Technical data

Part No.	5006253
Type of rotator	Grapple rotator
Weight	39.8 kg
Rotation	360 degrees
Max axial load, static	60 kN
Max axial load, dynamic	25 kN
Torque at 20 Mpa	1400 Nm
Rotation max oilflow	25 l/min
Rotation max working pressure	20 MPa
Grapple open max working pressure	20 MPa
Grapple close max working pressure	30 MPa

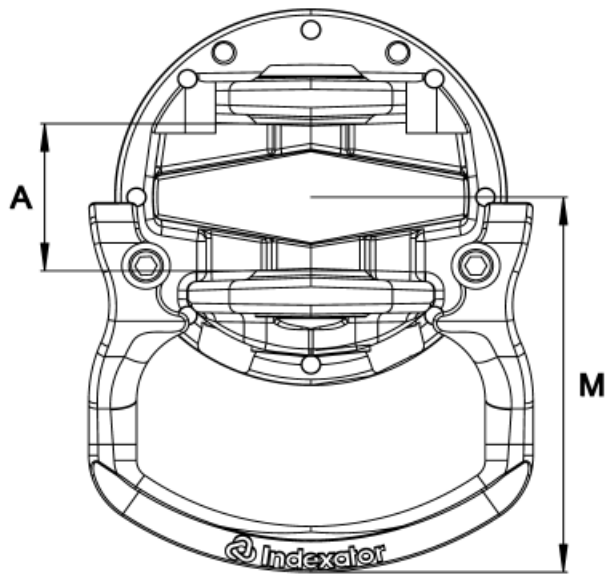
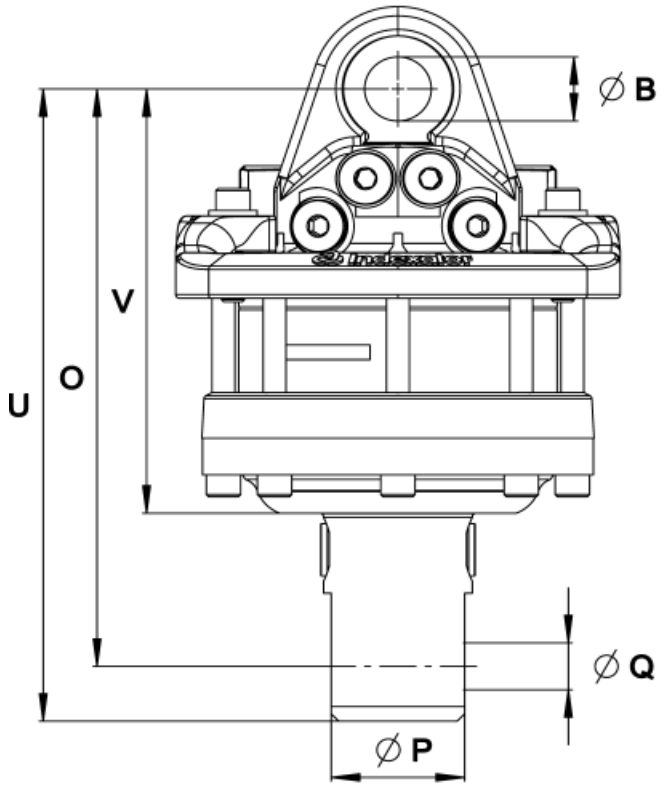
Interface

Upper interface	80 mm
Lower interface	Ø 78 mm

Rotator where the connections and tap hole through the shaft are parallel.

Adapter sets are available for alternative connections.

We reserve the right to make product changes.

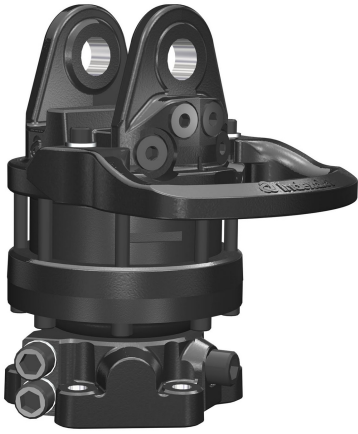


GV 6 -78/25 P

A	80,5 mm
B	Ø35 mm
M	205 mm
O	316 mm
P	Ø78 mm
Q	Ø25 mm
U	346 mm
V	232 mm

Connections

Upper connection	G 1/2
Lower connection	G 1/2



Rotator GV 6 A

Technical data

Part No.	5006385
Type of rotator	Grapple rotator
Weight	44.9 kg
Rotation	360 degrees
Max axial load, static	60 kN
Max axial load, dynamic	25 kN
Torque at 20 Mpa	1400 Nm
Rotation max oilflow	25 l/min
Rotation max working pressure	20 MPa
Grapple open max working pressure	20 MPa
Grapple close max working pressure	30 MPa

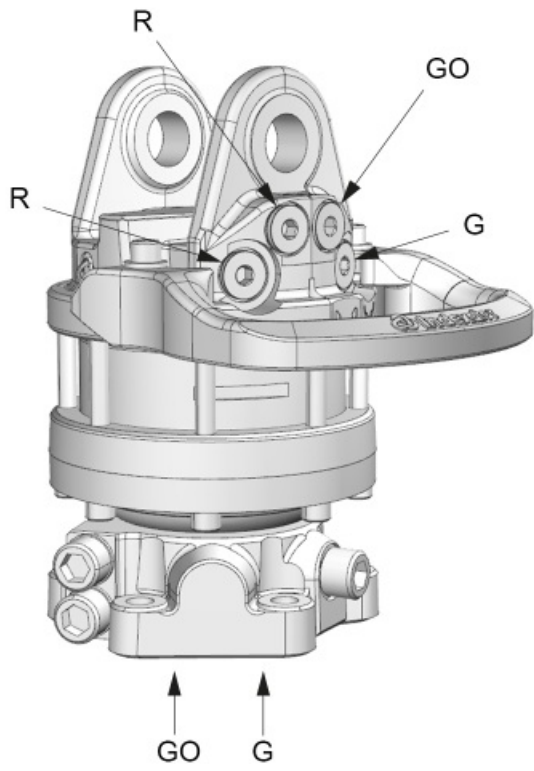
Interface

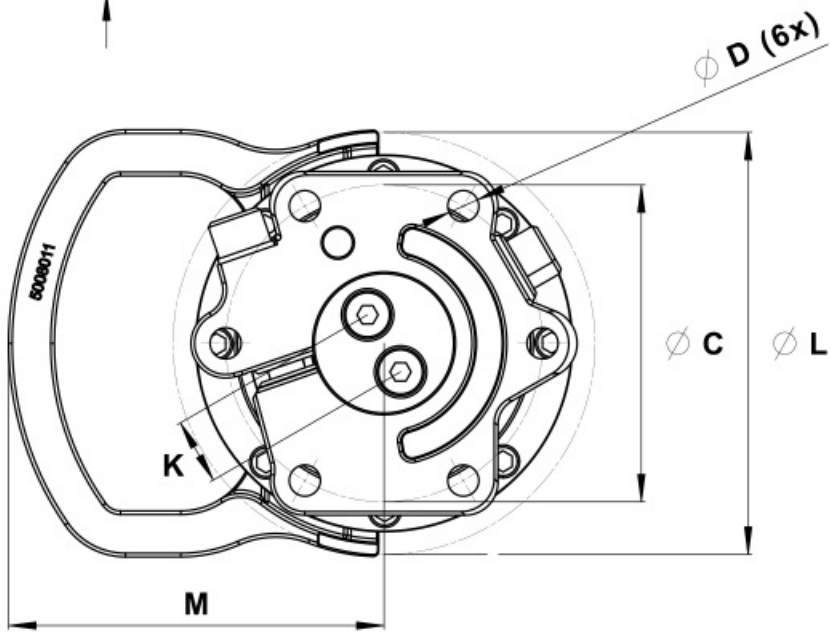
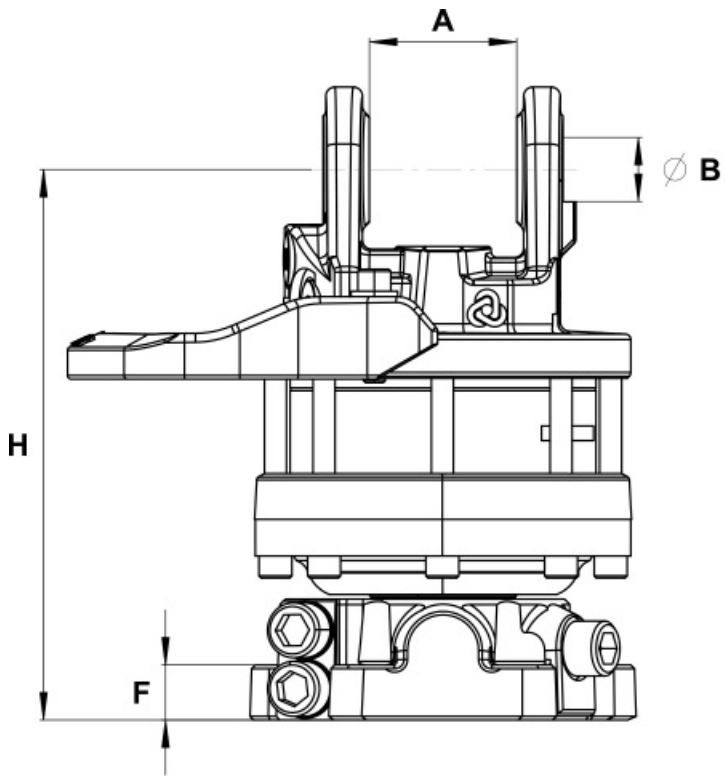
Upper interface	80 mm
Lower interface	Ø 173 mm

Rotator with only axial connections for a grapple function.

Adapter sets are available for alternative connections.

We reserve the right to make product changes.





GV 6 A	
A	80,5 mm
B	Ø35 mm
C	Ø173 mm
D	Ø17 mm
F	30 mm
H	300 mm
K	36 mm
L	Ø231 mm
M	205 mm

Connections	
Upper connection	G 1/2
Lower connection	G 1/2



Rotator GV 6 Y

Technical data

Part No.	5006286
Type of rotator	Grapple rotator
Weight	46 kg
Rotation	360 degrees
Max axial load, static	60 kN
Max axial load, dynamic	25 kN
Torque at 20 Mpa	1400 Nm
Rotation max oilflow	25 l/min
Rotation max working pressure	20 MPa
Grapple open max working pressure	20 MPa
Grapple close max working pressure	30 MPa

Function

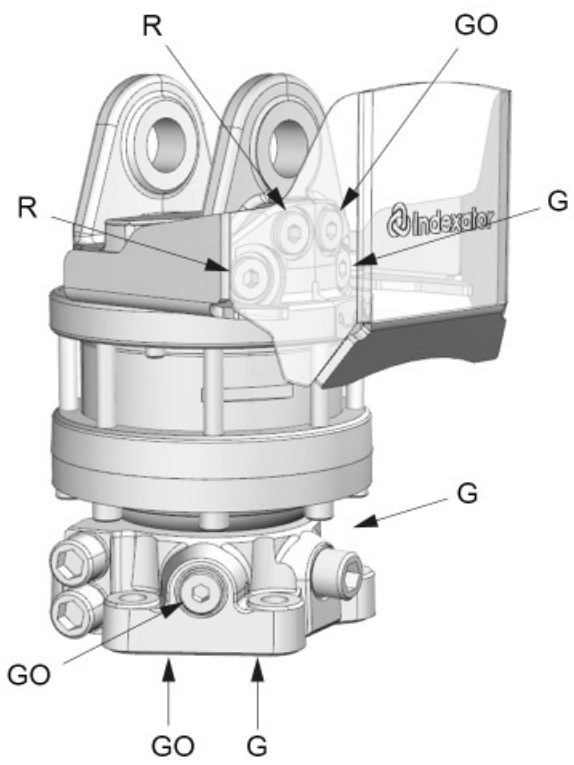
Protected Hose Routing

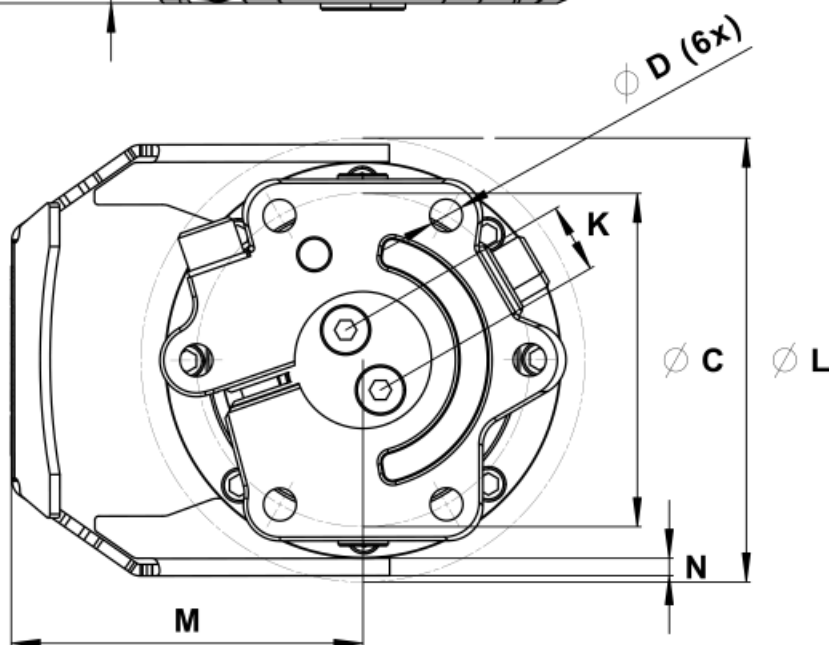
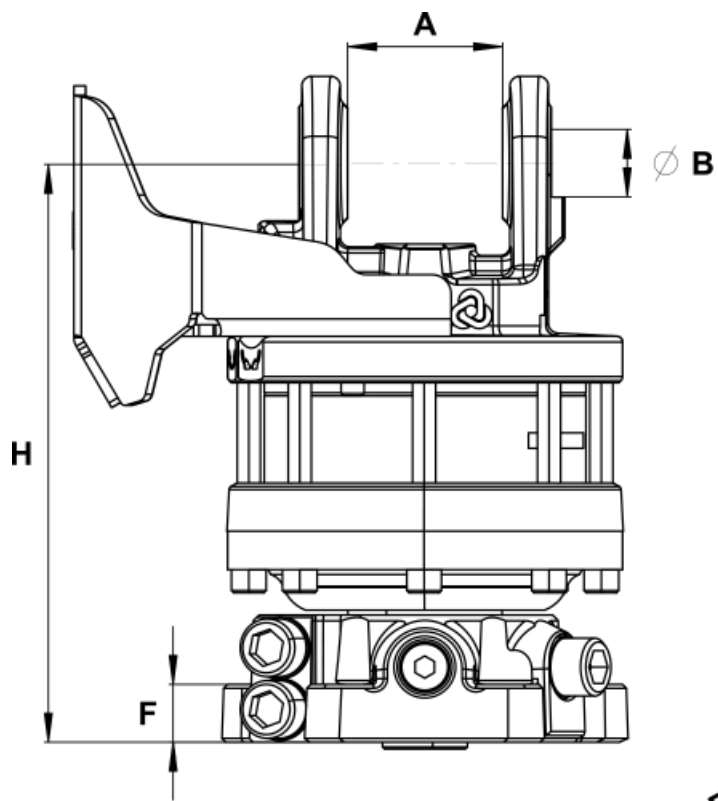
Interface

Upper interface	80 mm
Lower interface	Ø 173 mm

Adapter sets are available for alternative connections.

We reserve the right to make product changes.





GV 6 Y	
A	80,5 mm
B	Ø35 mm
C	Ø173 mm
D	Ø17 mm
F	30 mm
H	300 mm
K	36 mm
L	Ø231 mm
M	183 mm
N	6 mm

Connections	
Upper connection	G 1/2
Lower connection	G 1/2

По вопросам продаж и поддержки обращайтесь: itd@nt-rt.ru

www.indexator.nt-rt.ru

Архангельск (8182)63-90-72
Астана (7172)727-132
Астрахань (8512)99-46-04
Барнаул (3852)73-04-60
Белгород (4722)40-23-64
Брянск (4832)59-03-52
Владивосток (423)249-28-31
Волгоград (844)278-03-48
Вологда (8172)26-41-59
Воронеж (473)204-51-73
Екатеринбург (343)384-55-89
Иваново (4932)77-34-06
Ижевск (3412)26-03-58
Иркутск (395)279-98-46
Казань (843)206-01-48
Калининград (4012)72-03-81
Калуга (4842)92-23-67
Кемерово (3842)65-04-62

Киров (8332)68-02-04
Краснодар (861)203-40-90
Красноярск (391)204-63-61
Курск (4712)77-13-04
Липецк (4742)52-20-81 Магнитогорск
(3519)55-03-13 Москва
(495)268-04-70
Мурманск (8152)59-64-93
Набережные Челны (8552)20-53-41
Нижний Новгород (831)429-08-12
Новокузнецк (3843)20-46-81
Новосибирск (383)227-86-73 Омск
(3812)21-46-40
Орел (4862)44-53-42
Оренбург (3532)37-68-04
Пенза (8412)22-31-16
Пермь (342)205-81-47
Ростов-на-Дону (863)308-18-15
Рязань (4912)46-61-64

Самара (846)206-03-16
Санкт-Петербург (812)309-46-40
Саратов (845)249-38-78
Севастополь (8692)22-31-93
Симферополь (3652)67-13-56
Смоленск (4812)29-41-54 Сочи
(862)225-72-31 Ставрополь
(8652)20-65-13 Сургут
(3462)77-98-35
Тверь (4822)63-31-35
Томск (3822)98-41-53
Тула (4872)74-02-29
Тюмень (3452)66-21-18
Ульяновск (8422)24-23-59 Уфа
(347)229-48-12 Хабаровск
(4212)92-98-04
Челябинск (351)202-03-61
Череповец (8202)49-02-64
Ярославль (4852)69-52-93

Казахстан (7273)495-231

Киргизия (996)312-96-26-47

Таджикистан (992)427-82-92-69