

Одинарные гасители колебаний. Технические характеристики.

По вопросам продаж и поддержки обращайтесь: itd@nt-rt.ru

www.indexator.nt-rt.ru

Архангельск (8182)63-90-72
Астана (7172)727-132
Астрахань (8512)99-46-04
Барнаул (3852)73-04-60
Белгород (4722)40-23-64
Брянск (4832)59-03-52
Владивосток (423)249-28-31
Волгоград (844)278-03-48
Вологда (8172)26-41-59
Воронеж (473)204-51-73
Екатеринбург (343)384-55-89
Иваново (4932)77-34-06
Ижевск (3412)26-03-58
Иркутск (395)279-98-46
Казань (843)206-01-48
Калининград (4012)72-03-81
Калуга (4842)92-23-67
Кемерово (3842)65-04-62

Киров (8332)68-02-04
Краснодар (861)203-40-90
Красноярск (391)204-63-61
Курск (4712)77-13-04
Липецк (4742)52-20-81 Магнитогорск
(3519)55-03-13 Москва
(495)268-04-70
Мурманск (8152)59-64-93
Набережные Челны (8552)20-53-41
Нижний Новгород (831)429-08-12
Новокузнецк (3843)20-46-81
Новосибирск (383)227-86-73 Омск
(3812)21-46-40
Орел (4862)44-53-42
Оренбург (3532)37-68-04
Пенза (8412)22-31-16
Пермь (342)205-81-47
Ростов-на-Дону (863)308-18-15
Рязань (4912)46-61-64

Самара (846)206-03-16
Санкт-Петербург (812)309-46-40
Саратов (845)249-38-78
Севастополь (8692)22-31-93
Симферополь (3652)67-13-56
Смоленск (4812)29-41-54 Сочи
(862)225-72-31 Ставрополь
(8652)20-65-13 Сургут
(3462)77-98-35
Тверь (4822)63-31-35
Томск (3822)98-41-53
Тула (4872)74-02-29
Тюмень (3452)66-21-18
Ульяновск (8422)24-23-59 Уфа
(347)229-48-12 Хабаровск
(4212)92-98-04
Челябинск (351)202-03-61
Череповец (8202)49-02-64
Ярославль (4852)69-52-93

Казахстан (7273)495-231

Киргизия (996)312-96-26-47

Таджикистан (992)427-82-92-69

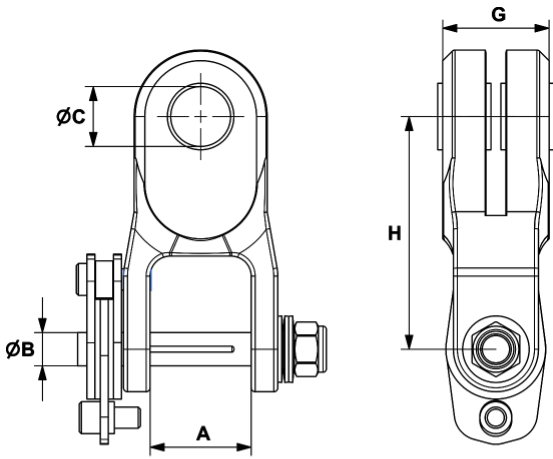
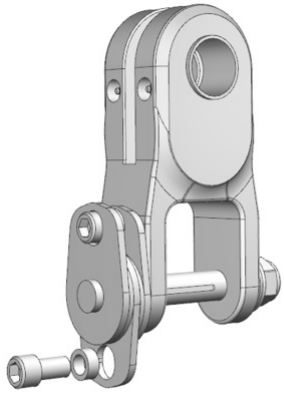


Single Swing damper 75-80/45

Technical data

Part No.	5002277	
Brake against rotator	Multiple disc brake	
Upper interface	80 mm	
Lower interface	75 mm	
	Weight	9 kg
	Max axial load, static	40 kN

We reserve the right to make product changes.



Single Swing damper 75-80/45	
A	76 mm
B	$\varnothing 25$ mm
C	$\varnothing 45$ mm
G	80 mm
H	175 mm



Single swing damper 75-60

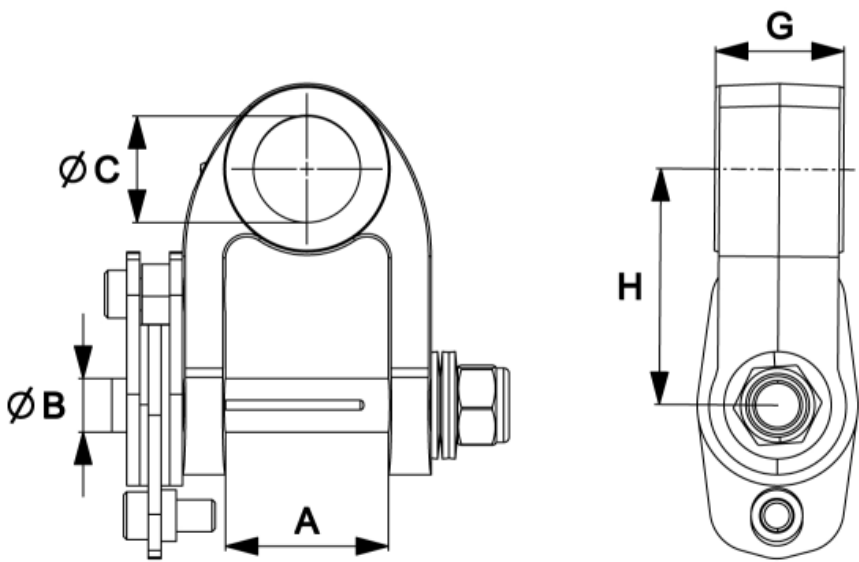
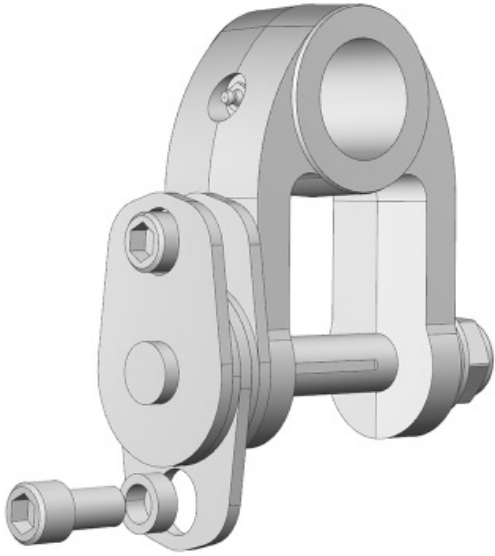
Technical data

Part No.	5030005
Brake against rotator	Multiple disc brake
Upper interface	60 mm
Lower interface	75 mm
Weight	5 kg
Max axial load, static	40 kN

Bushing

Diameter, upper bushing (C)	Bronze	Composite
Ø45 mm	2 x 1005495	-
Ø40 mm	-	1 x 5002409
Ø35 mm	-	1 x 5002410
Ø30 mm	-	1 x 5002411
Ø25 mm	-	1 x 5002412

The product is supplied with a pin set in the lower position. Supplemented with a bushing in the upper position according to the table. We reserve the right to make product changes.



Single swing damper 75-60	
A	76 mm
B	Ø25 mm
C	See table
G	60 mm



Single swing damper 75-70

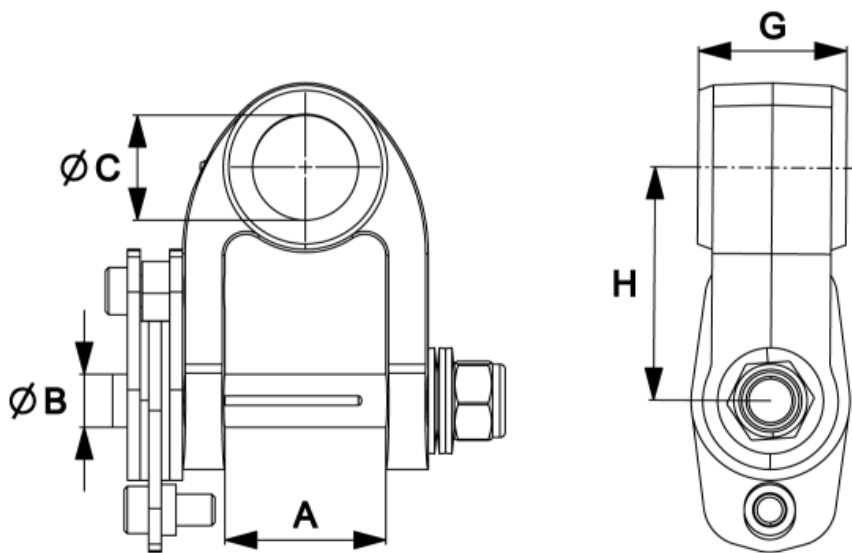
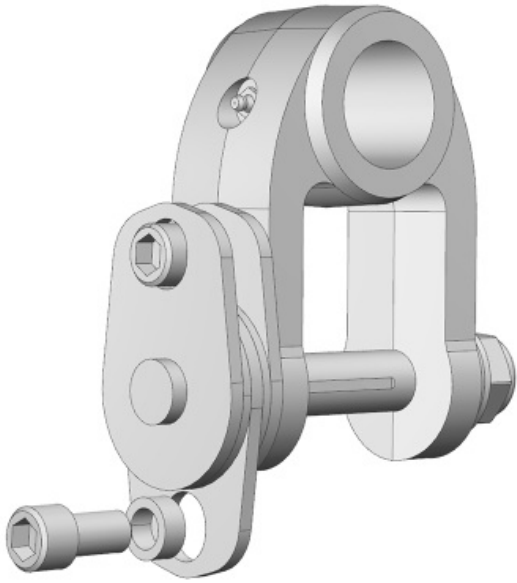
Technical data

Part No.	5030004	
Brake against rotator	Multiple disc brake	
Upper interface	70 mm	
Lower interface	75 mm	
	Weight	5 kg
	Max axial load, static	40 kN

Bushing

Diameter, upper bushing (C)	Bronze	Composite
Ø45 mm	1 x 1003193 1 x 1005495	-
Ø40 mm	-	1 x 5002405
Ø35 mm	-	1 x 5002406
Ø30 mm	-	1 x 5002407
Ø25 mm	-	1 x 5002408

The product is supplied with a pin set in the lower position. Supplemented with a bushing in the upper position according to the table. We reserve the right to make product changes.



Single swing damper 75-70

A	76 mm
B	Ø25 mm
C	See table
G	70 mm



Single swing damper 75-80

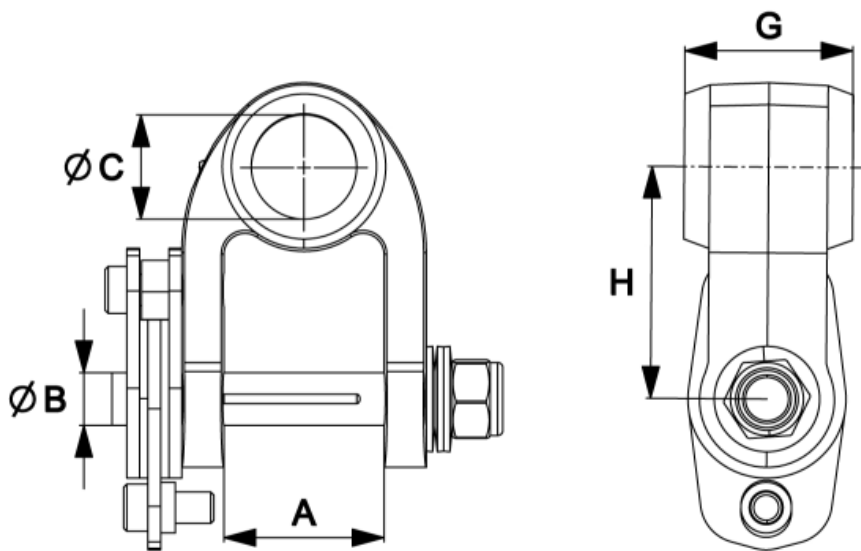
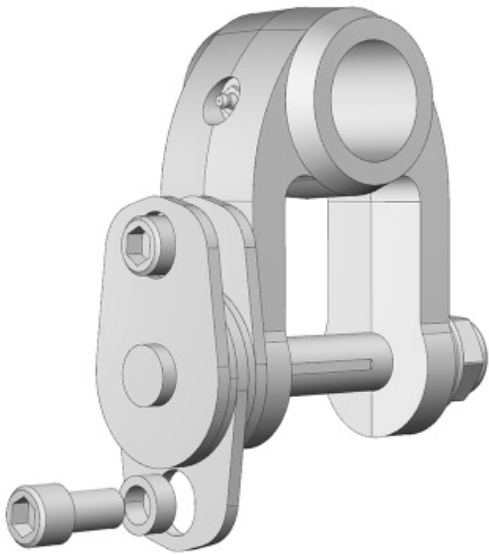
Technical data

Part No.	5030003		
Brake against rotator	Multiple disc brake		
Upper interface	80 mm		
Lower interface	75 mm		
	Weight	5 kg	
	Max axial load, static	40 kN	

Bushing

Diameter, upper bushing (C)	Bronze	ManganBronze	Composite
Ø45 mm	2 x 1003193	2 x 5006672	-
Ø40 mm	-	-	1 x 5002401
Ø35 mm	-	-	1 x 5002402
Ø30 mm	-	-	1 x 5002403
Ø25 mm	-	-	1 x 5002404

The product is supplied with a pin set in the lower position. Supplemented with a bushing in the upper position according to the table. We reserve the right to make product changes.



Single swing damper 75-80	
A	76 mm
B	$\varnothing 25$ mm
C	See table
G	80 mm



Single swing damper 75-80/25

Technical data

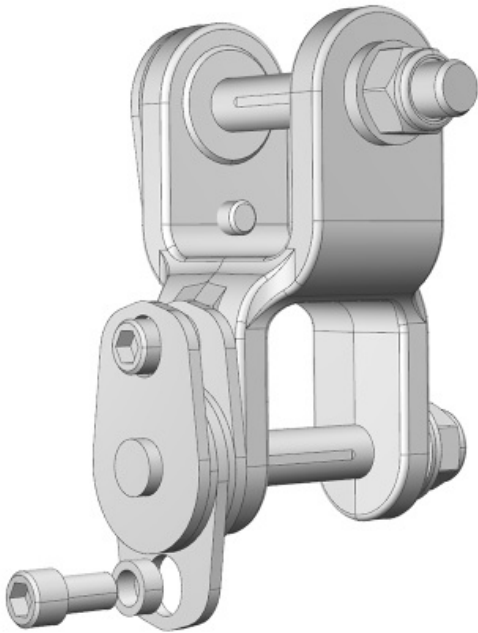
Part No.	5030006
Brake against rotator	Multiple disc brake
Upper interface	80 mm
Lower interface	75 mm
Weight	8 kg
Max axial load, static	40 kN

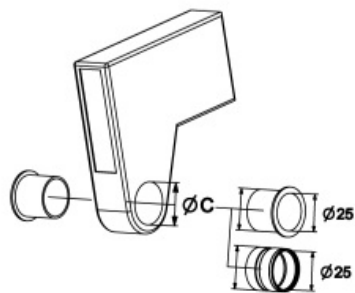
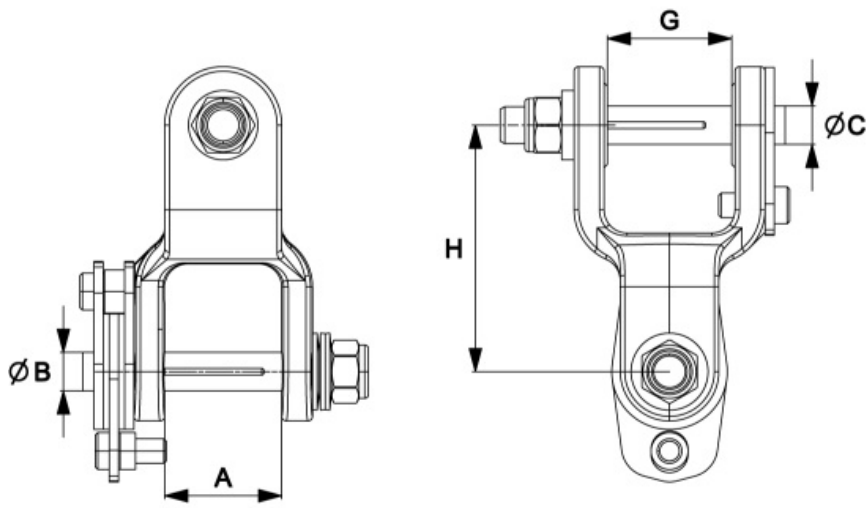
Bushing

Upper pin diameter	Crane tip, width	Composite
Ø45 mm	80 mm	1 x 5002415
Ø45 mm	70 mm	2 x 5002419
Ø45 mm	60 mm	2 x 5002423
Ø40 mm	80 mm	1 x 5002416
Ø40 mm	70 mm	2 x 5002420
Ø40 mm	60 mm	2 x 5002424
Ø35 mm	80 mm	1 x 5002417
Ø35 mm	70 mm	2 x 5002421
Ø35 mm	60 mm	2 x 5002425
Ø30 mm	80 mm	1 x 5002418
Ø30 mm	70 mm	2 x 5002422
Ø30 mm	60 mm	2 x 5002426
Ø25 mm	80 mm	-
Ø25 mm	70 mm	-
Ø25 mm	60 mm	-

The product is supplied complete with both an upper and a lower pin set. Supplemented with a bushing if the width of the crane tip or the pin diameter requires this. See table for more information.

We reserve the right to make product changes.





Single swing damper 75-80/25	
A	76 mm
B	Ø25 mm
C	Ø25 mm
G	80 mm
H	160 mm



Single swing damper 80-100 HD

Technical data

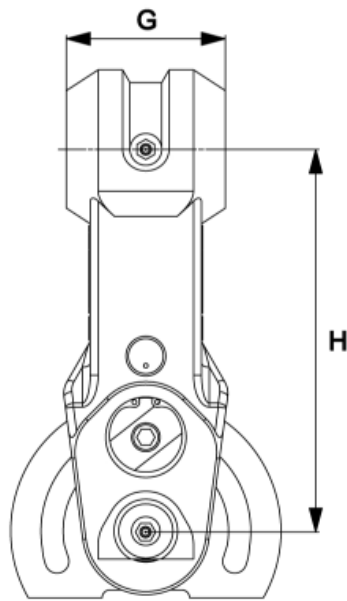
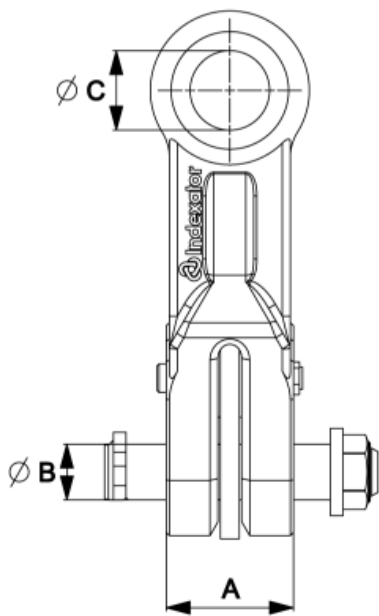
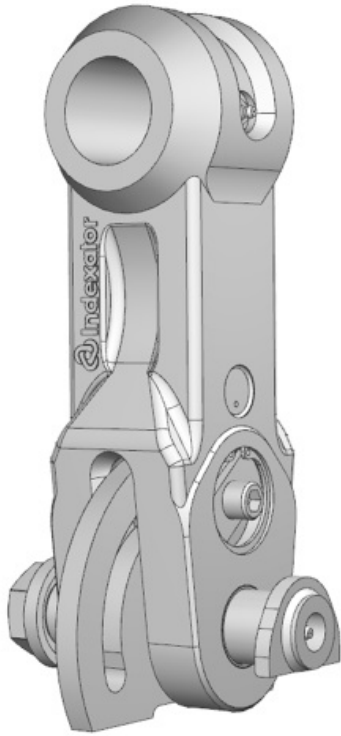
Part No.	5006606		
Brake against rotator	Disc brake		
Upper interface	100 mm		
Lower interface	80 mm		
	Weight	15 kg	
	Max axial load, static	100 kN	

Bushing

Diameter, upper bushing (C)	Steel	Bronze	ManganBronze
Ø45 mm	2 x 1002302	2 x 1005503	2 x 5006683

The product is supplied with a pin and bushing in the lower position. The product is supplemented with a bushing in the upper position according to the table.

We reserve the right to make product changes.



Single swing damper 80-100 HD

A	80 mm
B	Ø35 mm
C	See table
G	100 mm



Single swing damper 80-80 HD

Technical data

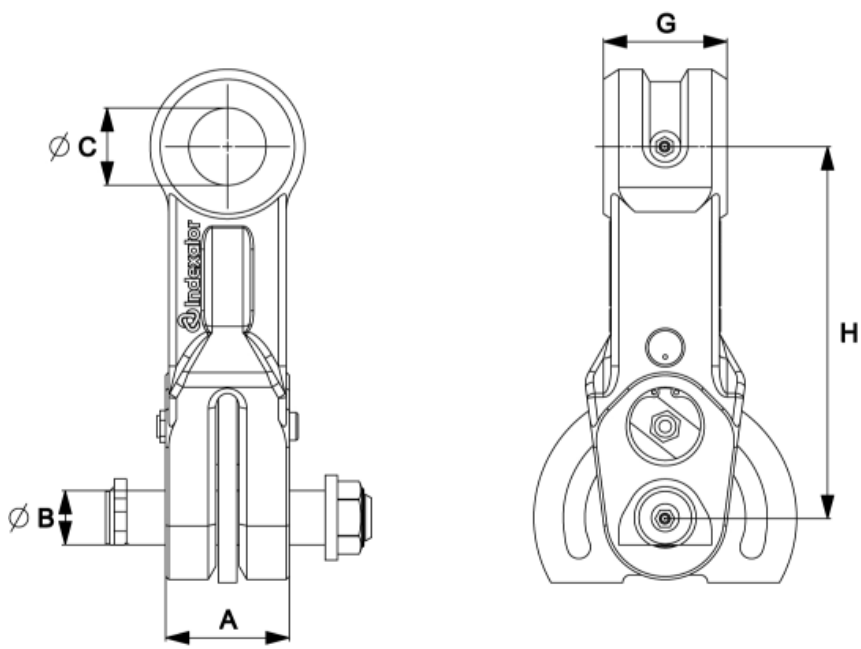
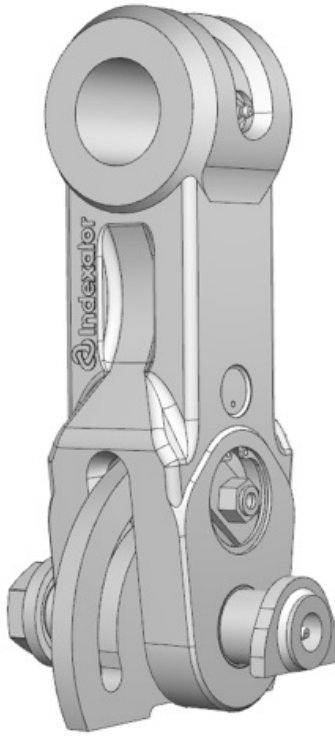
Part No.	5006603	
Brake against rotator	Disc brake	
Upper interface	80 mm	
Lower interface	80 mm	
	Weight	15 kg
	Max axial load, static	100 kN

Bushing

Diameter, upper bushing (C)	Bronze	ManganBronze	Composite
Ø45 mm	2 x 1003193	2 x 5006672	-
Ø40 mm	-	2 x 5006685	1 x 5002401
Ø35 mm	-	2 x 5006687	1 x 5002402
Ø30 mm	-	-	1 x 5002403
Ø25 mm	-	-	1 x 5002404

The product is supplied with a pin and bushing in the lower position. The product is supplemented with a bushing in the upper position according to the table.

We reserve the right to make product changes.



Single swing damper 80-80 HD

A	80 mm
B	Ø35 mm
C	See table
G	80 mm



Single swing damper 80-80

Technical data

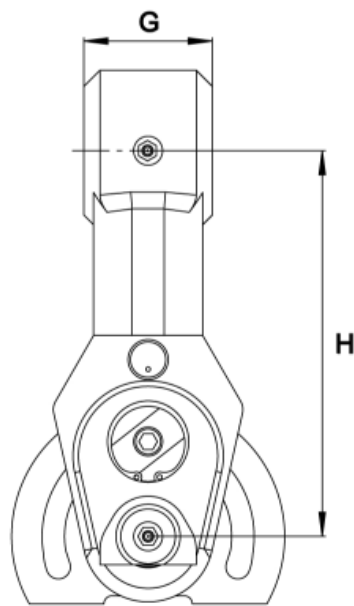
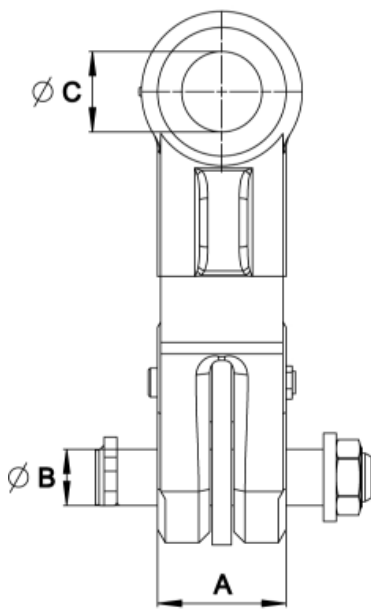
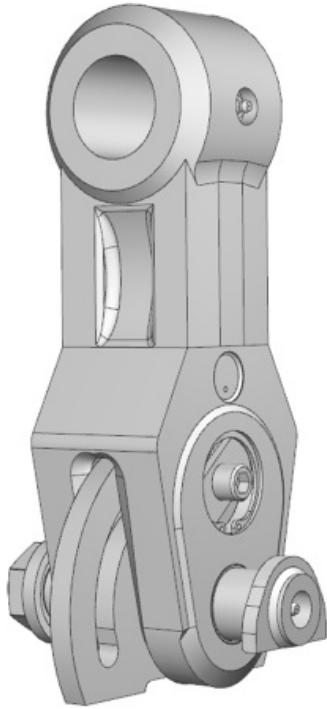
Part No.	5006600	
Brake against rotator	Disc brake	
Upper interface	80 mm	
Lower interface	80 mm	
	Weight	14 kg
	Max axial load, static	100 kN

Bushing

Diameter, upper bushing (C)	Bronze	ManganBronze	Composite
Ø45 mm	2 x 1003193	2 x 5006672	-
Ø40 mm	-	2 x 5006685	1 x 5002401
Ø35 mm	-	2 x 5006687	1 x 5002402
Ø30 mm	-	-	1 x 5002403
Ø25 mm	-	-	1 x 5002404

The product is supplied with a pin and bushing in the lower position. The product is supplemented with a bushing in the upper position according to the table.

We reserve the right to make product changes.



Single swing damper 80-80

A	80 mm
B	Ø35 mm
C	See table
G	80 mm



Single swing damper S-100 HD

Technical data

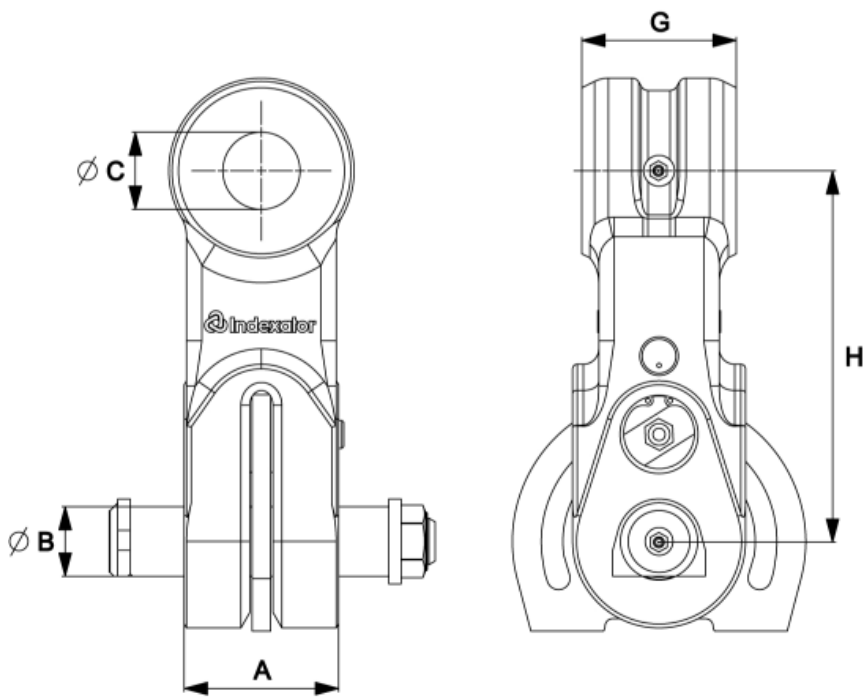
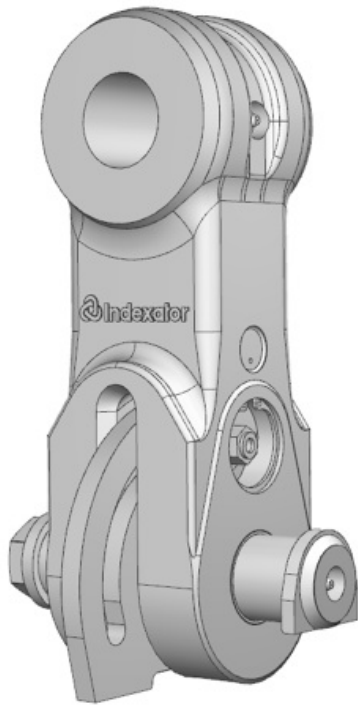
Part No.	5016703
Brake against rotator	Disc brake
Upper interface	100 mm
Lower interface	100 mm
Weight	25 kg
Max axial load, static	160 kN

Bushing

Diameter, upper bushing (C)	Steel	Bronze	ManganBronze	Composite
Ø45 mm	2 x 1002302	2 x 1005503	2 x 5006683	-
Ø40 mm	2 x 5002467	-	-	2 x 5002414

The product is supplied with a pin and bushing in the lower position. The product is supplemented with a bushing in the upper position according to the table.

We reserve the right to make product changes.



Single swing damper S-100 HD

A	100 mm
B	Ø45 mm
C	See table
G	100 mm



Single swing damper S-100

Technical data

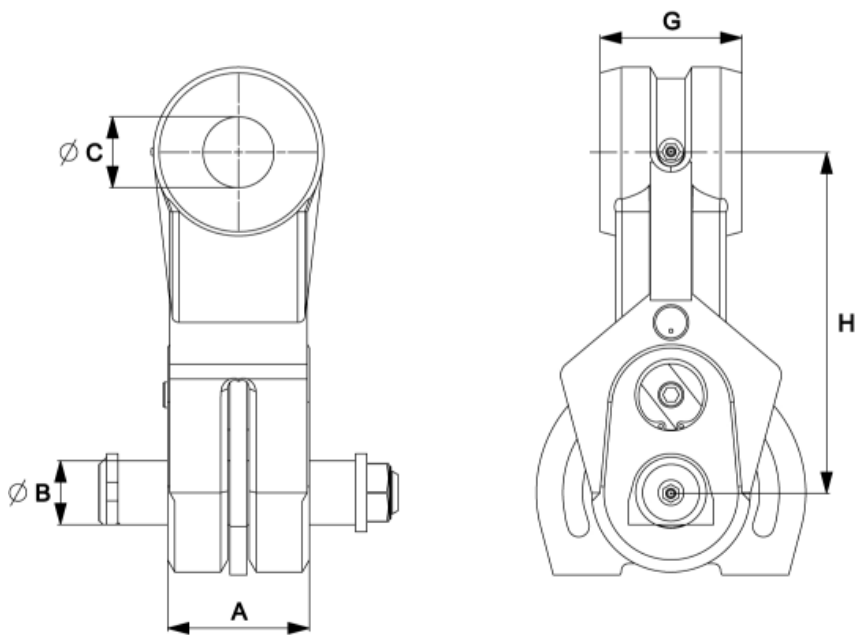
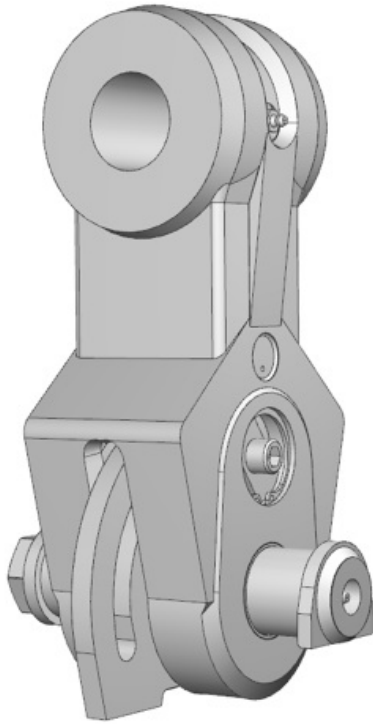
Part No.	5016705
Brake against rotator	Disc brake
Upper interface	100 mm
Lower interface	100 mm
Weight	25 kg
Max axial load, static	160 kN

Bushing

Diameter, upper bushing (C)	Steel	Bronze	ManganBronze	Composite
Ø45 mm	2 x 1002302	2 x 1005503	2 x 5006683	-
Ø40 mm	2 x 5002467	-	-	2 x 5002414

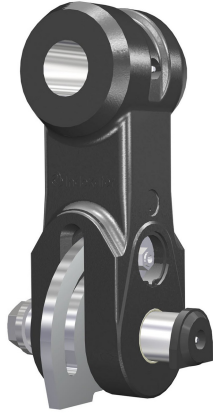
The product is supplied with a pin and bushing in the lower position. The product is supplemented with a bushing in the upper position according to the table.

We reserve the right to make product changes.



Single swing damper S-100

A	100 mm
B	Ø45 mm
C	See table
G	100 mm



Single swing damper S-125 HD

Technical data

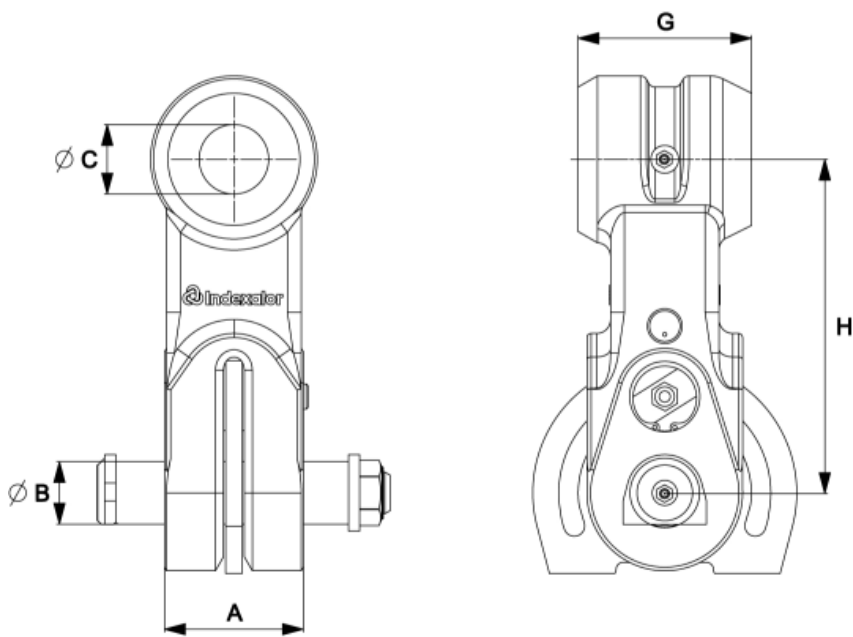
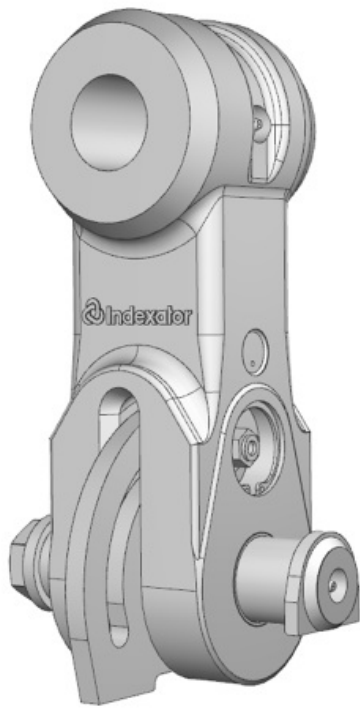
Part No.	5016702	
Brake against rotator	Disc brake	
Upper interface	125 mm	
Lower interface	100 mm	
Weight		26 kg
Max axial load, static		160 kN

Bushing

Diameter, upper bushing (C)	Bronze	ManganBronze
Ø45 mm	2 x 1003896	2 x 5006684

The product is supplied with a pin and bushing in the lower position. The product is supplemented with a bushing in the upper position according to the table.

We reserve the right to make product changes.



Single swing damper S-125 HD

A	100 mm
B	Ø45 mm
C	See table
G	125 mm



Single swing damper S-80 HD

Technical data

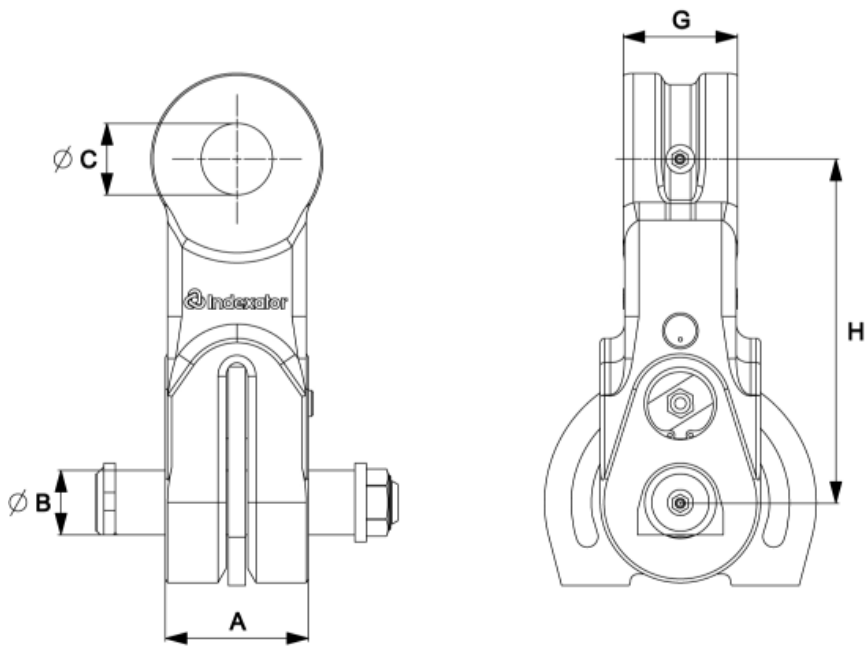
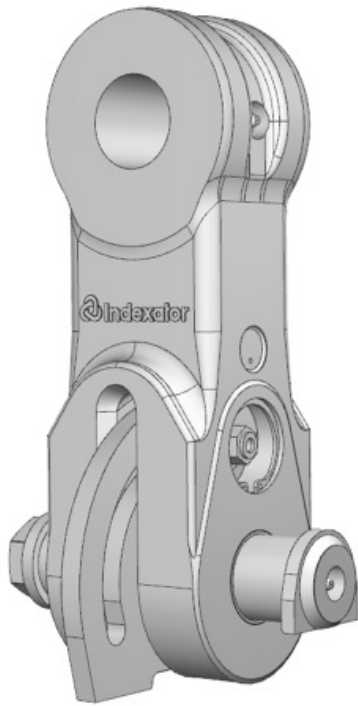
Part No.	5016704		
Brake against rotator	Disc brake		
Upper interface	80 mm		
Lower interface	100 mm		
	Weight	24 kg	
	Max axial load, static	160 kN	

Bushing

Diameter, upper bushing (C)	Steel	Bronze	ManganBronze	Composite
Ø45 mm	2 x 1002294	2 x 1003193	2 x 5006672	-
Ø40 mm	2 x 5002468	-	2 x 5006685	1 x 5002401
Ø35 mm	-	-	2 x 5006687	1 x 5002402
Ø30 mm	-	-	-	1 x 5002403
Ø25 mm	-	-	-	1 x 5002404

The product is supplied with a pin and bushing in the lower position. The product is supplemented with a bushing in the upper position according to the table.

We reserve the right to make product changes.



Single swing damper S-80 HD

A	100 mm
B	Ø45 mm
C	See table
G	80 mm



Single swing damper S-80

Technical data

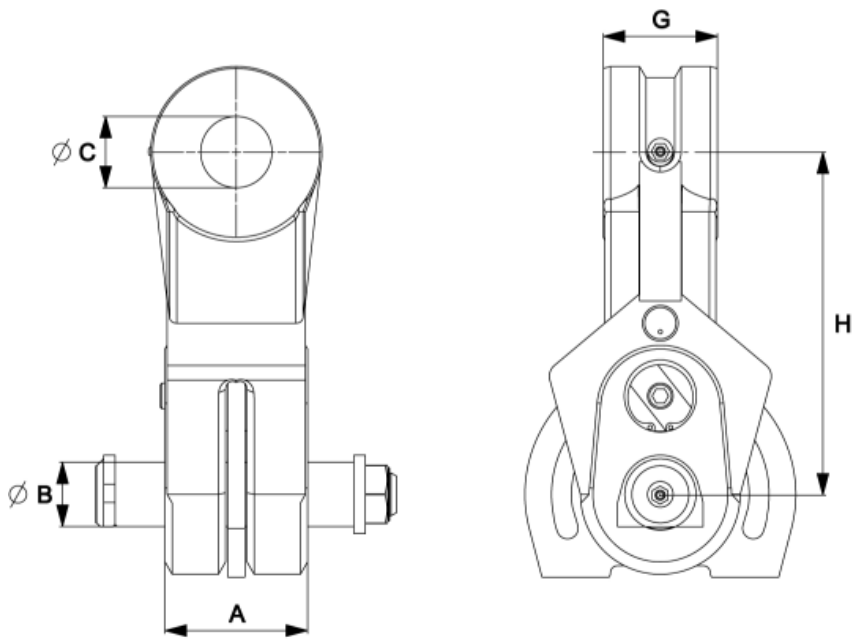
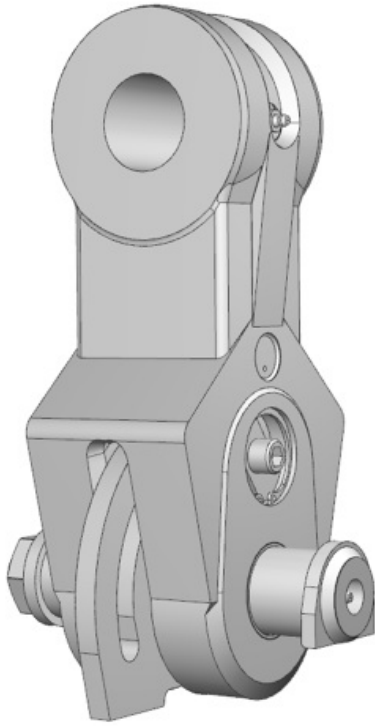
Part No.	5016706		
Brake against rotator	Disc brake		
Upper interface	80 mm		
Lower interface	100 mm		
	Weight	23 kg	
	Max axial load, static	160 kN	

Bushing

Diameter, upper bushing (C)	Steel	Bronze	ManganBronze	Composite
Ø45 mm	2 x 1002294	2 x 1003193	2 x 5006672	-
Ø40 mm	2 x 5002468	-	2 x 5006685	1 x 5002401
Ø35 mm	-	-	2 x 5006687	1 x 5002402
Ø30 mm	-	-	-	1 x 5002403
Ø25 mm	-	-	-	1 x 5002404

The product is supplied with a pin and bushing in the lower position. The product is supplemented with a bushing in the upper position according to the table.

We reserve the right to make product changes.



Single swing damper S-80

A	100 mm
B	Ø45 mm
C	See table
G	80 mm

По вопросам продаж и поддержки обращайтесь: itd@nt-rt.ru

www.indexator.nt-rt.ru

Архангельск (8182)63-90-72
Астана (7172)727-132
Астрахань (8512)99-46-04
Барнаул (3852)73-04-60
Белгород (4722)40-23-64
Брянск (4832)59-03-52
Владивосток (423)249-28-31
Волгоград (844)278-03-48
Вологда (8172)26-41-59
Воронеж (473)204-51-73
Екатеринбург (343)384-55-89
Иваново (4932)77-34-06
Ижевск (3412)26-03-58
Иркутск (395)279-98-46
Казань (843)206-01-48
Калининград (4012)72-03-81
Калуга (4842)92-23-67
Кемерово (3842)65-04-62

Киров (8332)68-02-04
Краснодар (861)203-40-90
Красноярск (391)204-63-61
Курск (4712)77-13-04
Липецк (4742)52-20-81 Магнитогорск
(3519)55-03-13 Москва
(495)268-04-70
Мурманск (8152)59-64-93
Набережные Челны (8552)20-53-41
Нижний Новгород (831)429-08-12
Новокузнецк (3843)20-46-81
Новосибирск (383)227-86-73 Омск
(3812)21-46-40
Орел (4862)44-53-42
Оренбург (3532)37-68-04
Пенза (8412)22-31-16
Пермь (342)205-81-47
Ростов-на-Дону (863)308-18-15
Рязань (4912)46-61-64

Самара (846)206-03-16
Санкт-Петербург (812)309-46-40
Саратов (845)249-38-78
Севастополь (8692)22-31-93
Симферополь (3652)67-13-56
Смоленск (4812)29-41-54 Сочи
(862)225-72-31 Ставрополь
(8652)20-65-13 Сургут
(3462)77-98-35
Тверь (4822)63-31-35
Томск (3822)98-41-53
Тула (4872)74-02-29
Тюмень (3452)66-21-18
Ульяновск (8422)24-23-59 Уфа
(347)229-48-12 Хабаровск
(4212)92-98-04
Челябинск (351)202-03-61
Череповец (8202)49-02-64
Ярославль (4852)69-52-93

Казахстан (7273)495-231

Киргизия (996)312-96-26-47

Таджикистан (992)427-82-92-69