

Двойные гасители колебаний. Технические характеристики.

По вопросам продаж и поддержки обращайтесь: itd@nt-rt.ru

www.indexator.nt-rt.ru

Архангельск (8182)63-90-72
Астана (7172)727-132
Астрахань (8512)99-46-04
Барнаул (3852)73-04-60
Белгород (4722)40-23-64
Брянск (4832)59-03-52
Владивосток (423)249-28-31
Волгоград (844)278-03-48
Вологда (8172)26-41-59
Воронеж (473)204-51-73
Екатеринбург (343)384-55-89
Иваново (4932)77-34-06
Ижевск (3412)26-03-58
Иркутск (395)279-98-46
Казань (843)206-01-48
Калининград (4012)72-03-81
Калуга (4842)92-23-67
Кемерово (3842)65-04-62

Киров (8332)68-02-04
Краснодар (861)203-40-90
Красноярск (391)204-63-61
Курск (4712)77-13-04
Липецк (4742)52-20-81 Магнитогорск
(3519)55-03-13 Москва
(495)268-04-70
Мурманск (8152)59-64-93
Набережные Челны (8552)20-53-41
Нижний Новгород (831)429-08-12
Новокузнецк (3843)20-46-81
Новосибирск (383)227-86-73 Омск
(3812)21-46-40
Орел (4862)44-53-42
Оренбург (3532)37-68-04
Пенза (8412)22-31-16
Пермь (342)205-81-47
Ростов-на-Дону (863)308-18-15
Рязань (4912)46-61-64

Самара (846)206-03-16
Санкт-Петербург (812)309-46-40
Саратов (845)249-38-78
Севастополь (8692)22-31-93
Симферополь (3652)67-13-56
Смоленск (4812)29-41-54 Сочи
(862)225-72-31 Ставрополь
(8652)20-65-13 Сургут
(3462)77-98-35
Тверь (4822)63-31-35
Томск (3822)98-41-53
Тула (4872)74-02-29
Тюмень (3452)66-21-18
Ульяновск (8422)24-23-59 Уфа
(347)229-48-12 Хабаровск
(4212)92-98-04
Челябинск (351)202-03-61
Череповец (8202)49-02-64
Ярославль (4852)69-52-93

Казахстан (7273)495-231

Киргизия (996)312-96-26-47

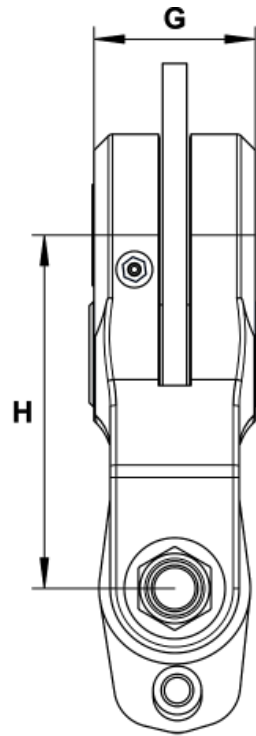
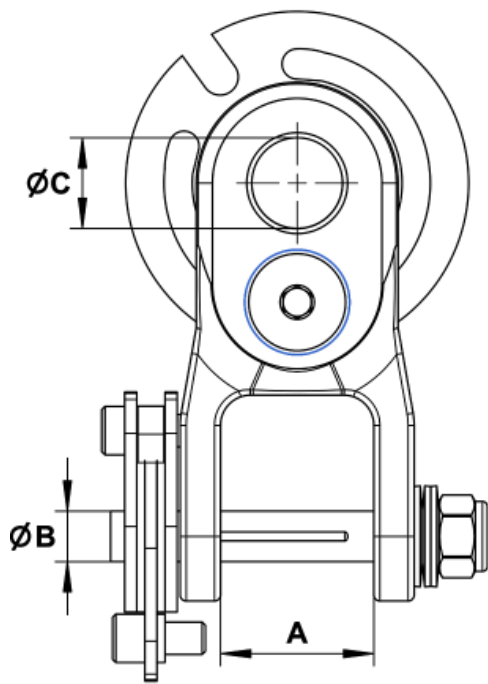
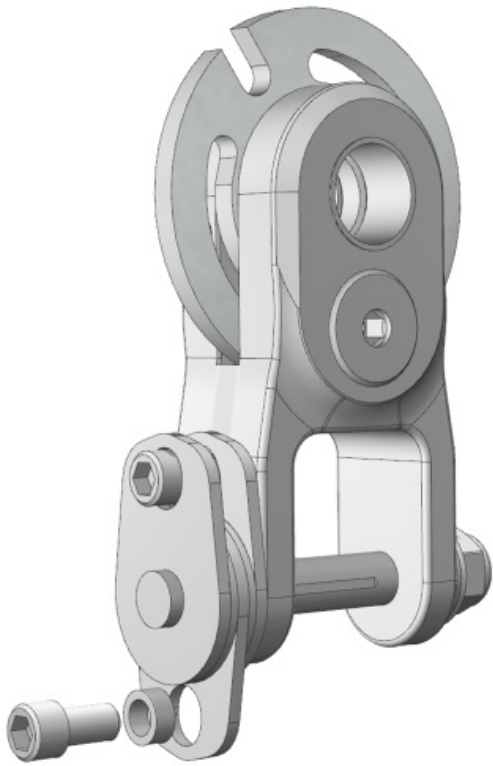
Таджикистан (992)427-82-92-69



Dual swing damper 75-80/45

Technical data

Part No.	5002383	
Brake against rotator	Multiple disc brake	
Brake against crane tip	Disc brake	
Upper interface	80 mm	
Lower interface	75 mm	
	Weight	10 kg
	Max axial load, static	40 kN



Dual swing damper 75-80/45

A	76 mm
B	Ø25 mm
C	Ø45 mm
G	80 mm
H	175 mm



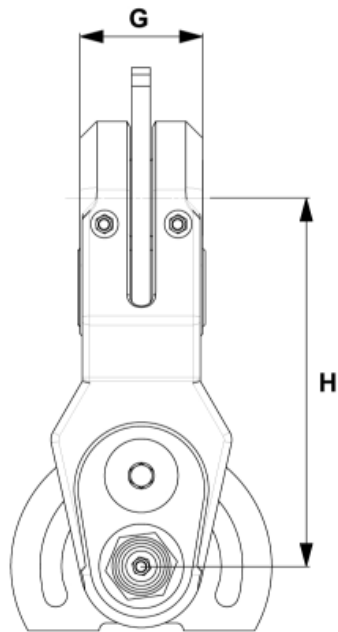
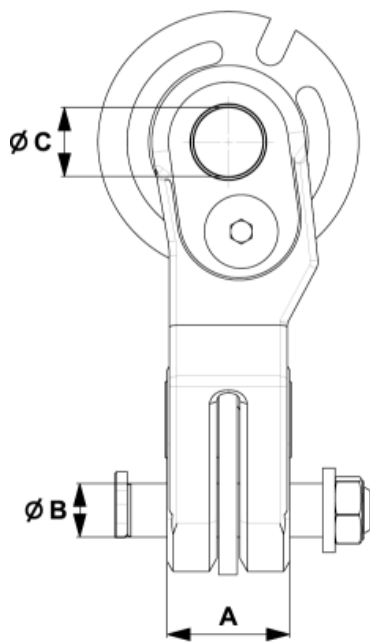
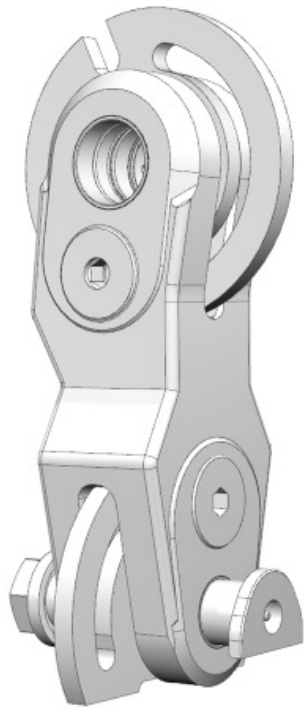
Dual swing damper 80-80/30 HD M52

Technical data

Part No.	5006523	
Brake against rotator	Disc brake	
Brake against crane tip	Disc brake	
Upper interface	80 mm	
Lower interface	80 mm	
	Weight	17 kg
	Max axial load, static	100 kN

The product is supplied with upper and lower bushings and a lower pin.

We reserve the right to make product changes.



Dual swing damper 80-80/30 HD M52

A	80 mm
B	Ø35 mm
C	Ø30 mm
G	80 mm



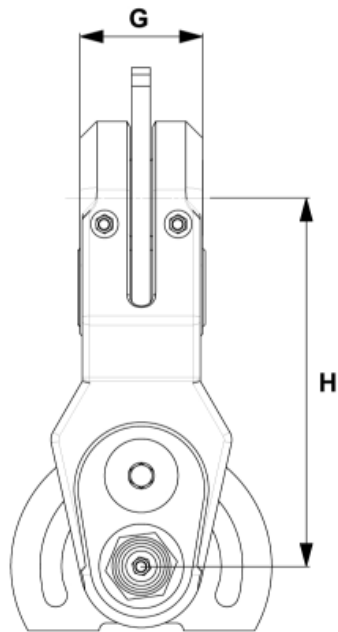
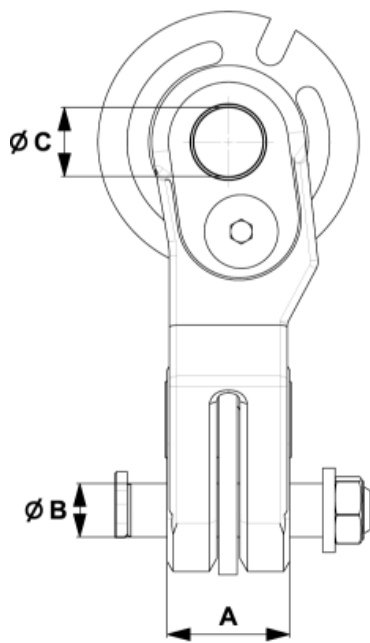
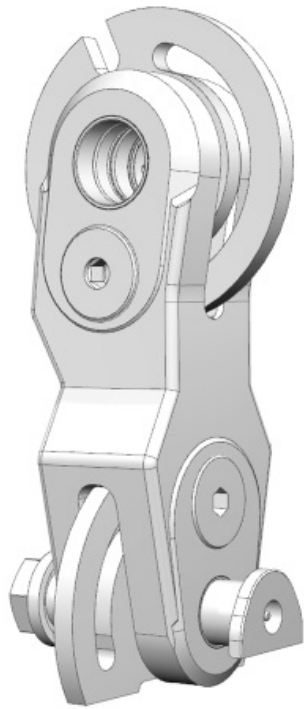
Dual swing damper 80-80/35 HD M52

Technical data

Part No.	5006521	
Brake against rotator	Disc brake	
Brake against crane tip	Disc brake	
Upper interface	80 mm	
Lower interface	80 mm	
	Weight	17 kg
	Max axial load, static	100 kN

The product is supplied with upper and lower bushings and a lower pin.

We reserve the right to make product changes.



Dual swing damper 80-80/35 HD M52

A	80 mm
B	Ø35 mm
C	Ø35 mm
G	80 mm



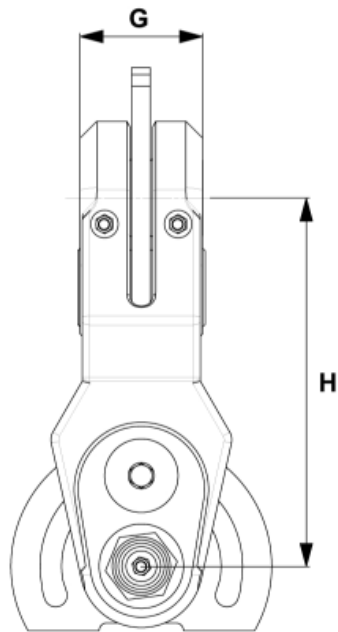
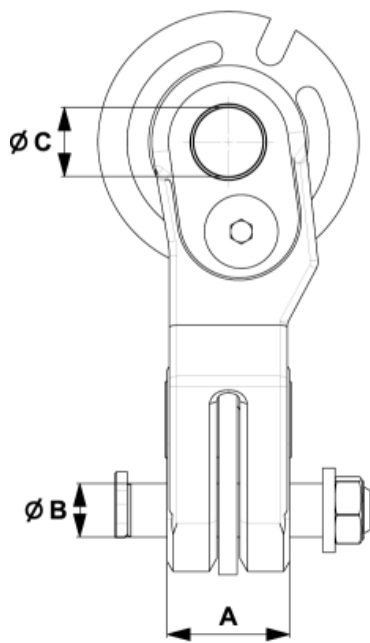
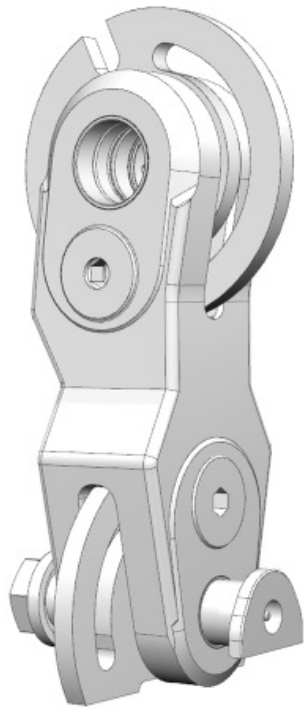
Dual swing damper 80-80/40 HD M52

Technical data

Part No.	5006522	
Brake against rotator	Disc brake	
Brake against crane tip	Disc brake	
Upper interface	80 mm	
Lower interface	80 mm	
	Weight	17 kg
	Max axial load, static	100 kN

The product is supplied with upper and lower bushings and a lower pin.

We reserve the right to make product changes.



Dual swing damper 80-80/40 HD M52

A	80 mm
B	Ø35 mm
C	Ø40 mm
G	80 mm



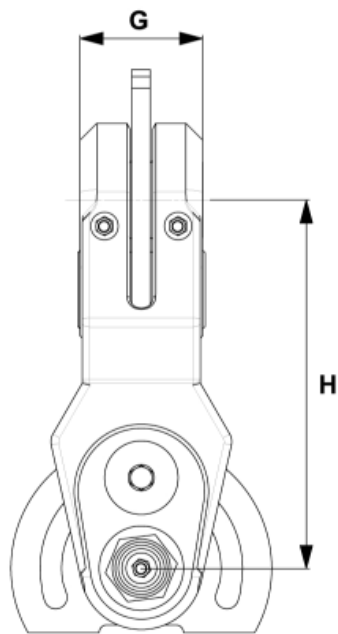
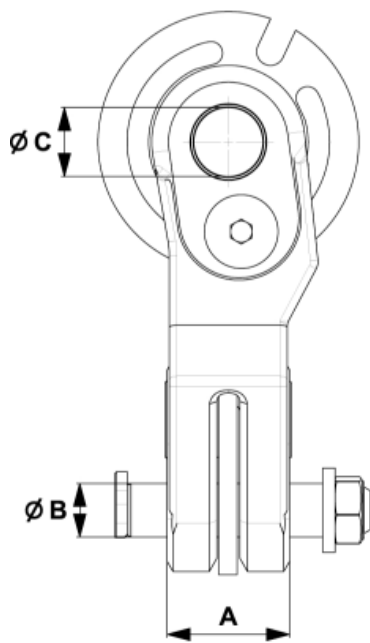
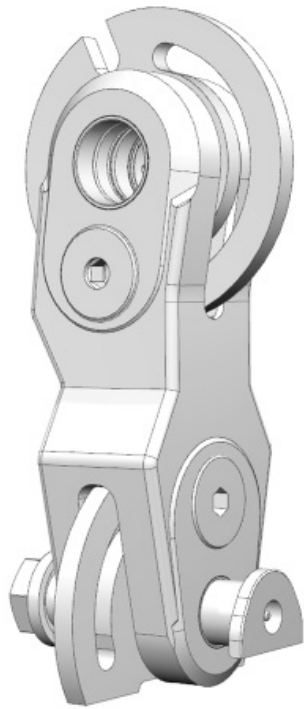
Dual swing damper 80-80/45 HD M52

Technical data

Part No.	5006520	
Brake against rotator	Disc brake	
Brake against crane tip	Disc brake	
Upper interface	80 mm	
Lower interface	80 mm	
	Weight	17 kg
	Max axial load, static	100 kN

The product is supplied with upper and lower bushings and a lower pin.

We reserve the right to make product changes.



Dual swing damper 80-80/45 HD M52

A	80 mm
B	Ø35 mm
C	Ø45 mm
G	80 mm



Dual swing damper 80-80/30 HD

Technical data

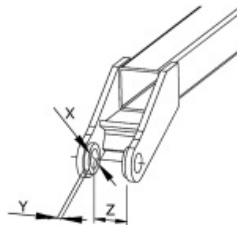
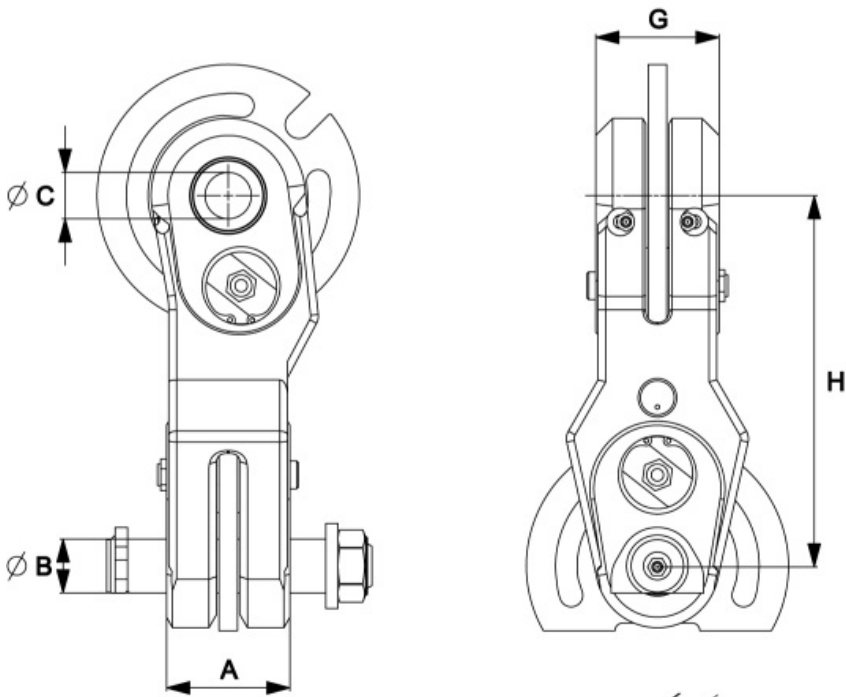
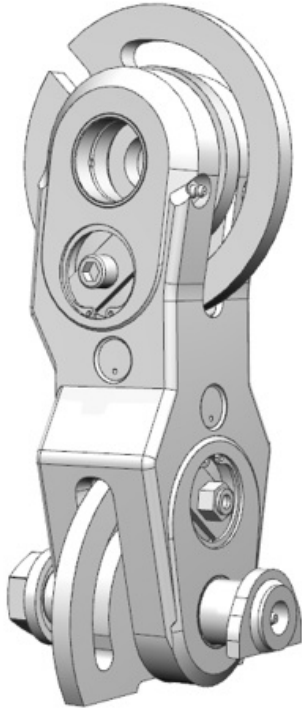
Part No.	5006607	
Brake against rotator	Disc brake	
Brake against crane tip	Disc brake	
Upper interface	80 mm	
Lower interface	80 mm	
	Weight	17 kg
	Max axial load, static	100 kN

Installation of this dual swing damper with a width of 80 mm (G, Z) to the crane tip assumes an internal spacer with a minimum thickness of 10 mm (Y) as illustrated.

The outer diameter of the spacer must not exceed 98 mm (X).

For crane tips without 10 mm spacers, we refer to part number 5006523.

We reserve the right to make product changes.



Dual swing damper 80-80/30 HD

A	80 mm
B	Ø35 mm
C	Ø30 mm
G	80 mm



Dual swing damper 80-80/45 HD

Technical data

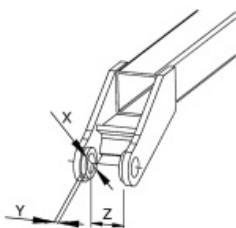
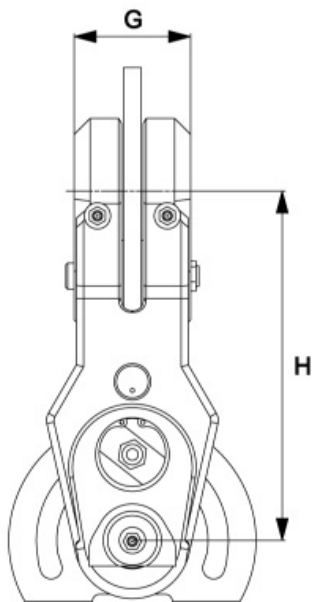
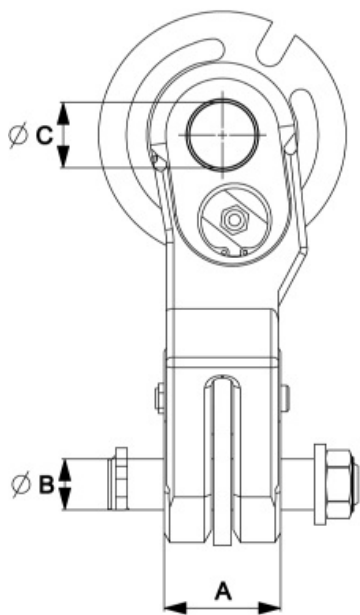
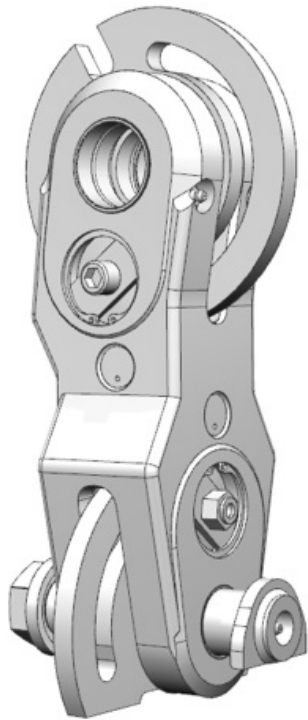
Part No.	5006605	
Brake against rotator	Disc brake	
Brake against crane tip	Disc brake	
Upper interface	80 mm	
Lower interface	80 mm	
	Weight	17 kg
	Max axial load, static	100 kN

Installation of this dual swing damper with a width of 80 mm (G, Z) to the crane tip assumes an internal spacer with a minimum thickness of 10 mm (Y) as illustrated.

The outer diameter of the spacer must not exceed 98 mm (X).

For crane tips without 10 mm spacers, we refer to part number 5006520.

We reserve the right to make product changes.



Dual swing damper 80-80/45 HD

A	80 mm
B	Ø35 mm
C	Ø45 mm
G	80 mm



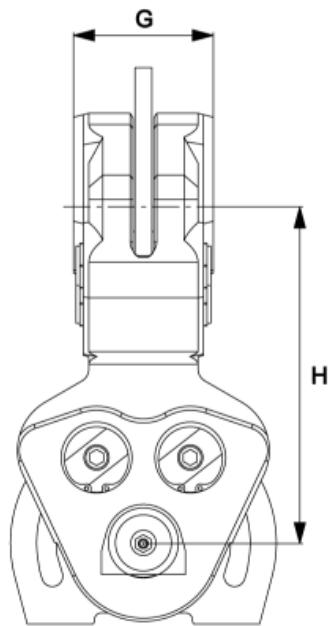
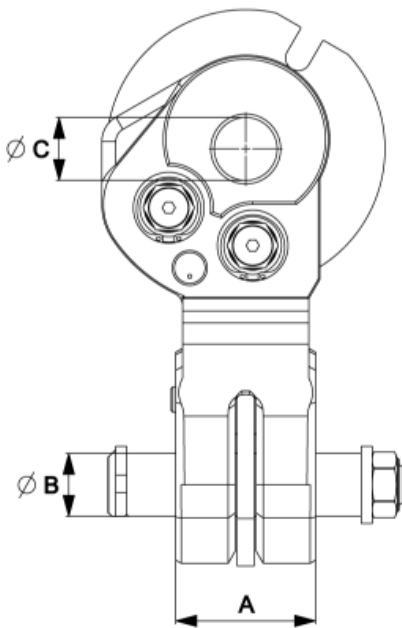
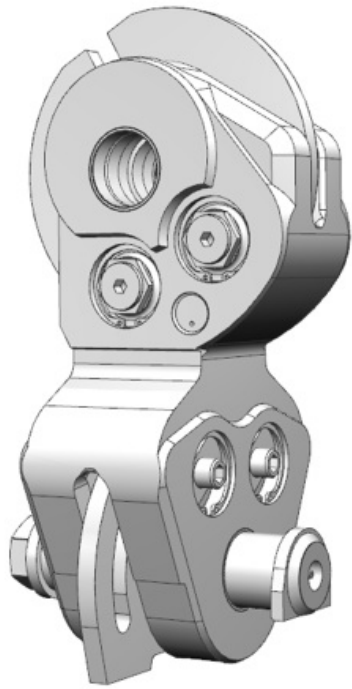
Dual swing damper S-100/45 C HD

Technical data

Part No.	5016710	
Brake against rotator	Disc brake	
Brake against crane tip	Disc brake	
Upper interface	100 mm	
Lower interface	100 mm	
	Weight	32 kg
	Max axial load, static	160 kN

The product is supplied with upper and lower bushings and a lower pin.

We reserve the right to make product changes.



Dual swing damper S-100/45 C HD

A	100 mm
B	Ø45 mm
C	Ø45 mm
G	100 mm



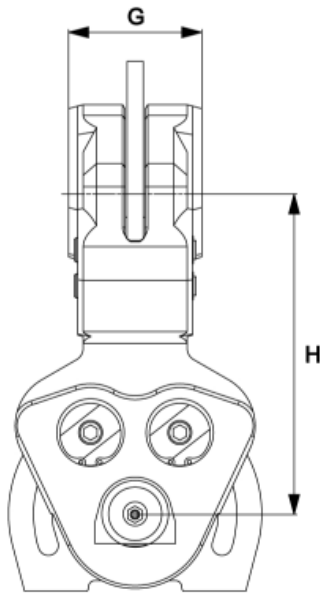
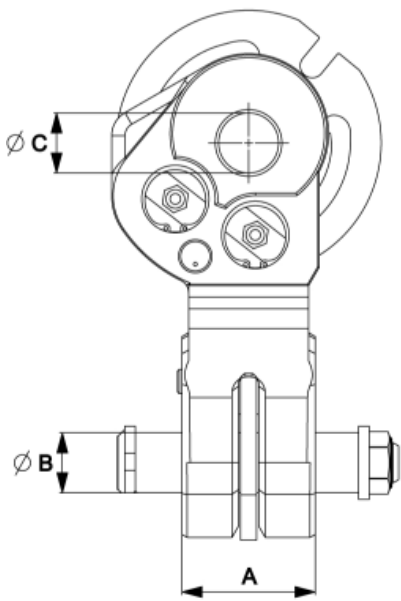
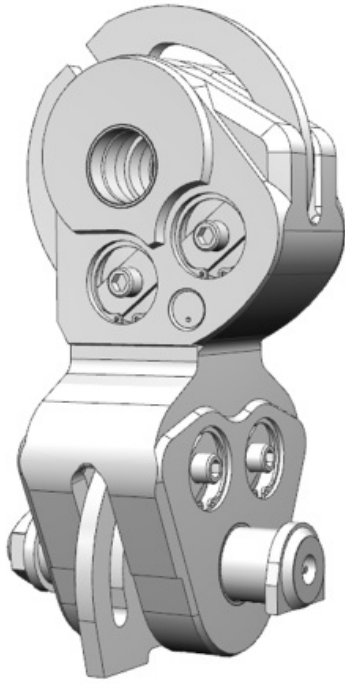
Dual swing damper S-100/45 HD

Technical data

Part No.	5016700	
Brake against rotator	Disc brake	
Brake against crane tip	Disc brake	
Upper interface	100 mm	
Lower interface	100 mm	
	Weight	31 kg
	Max axial load, static	160 kN

The product is supplied with upper and lower bushings and a lower pin.

We reserve the right to make product changes.



Dual swing damper S-100/45 HD

A	100 mm
B	Ø45 mm
C	Ø45 mm
G	100 mm



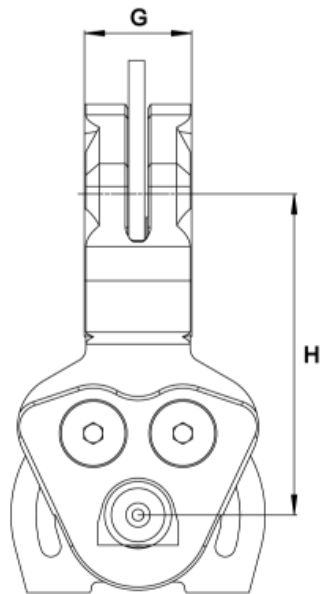
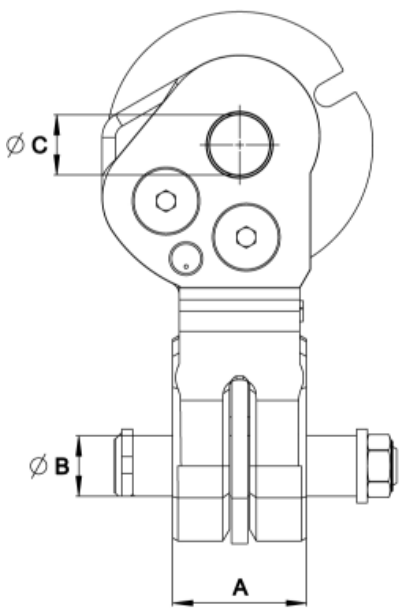
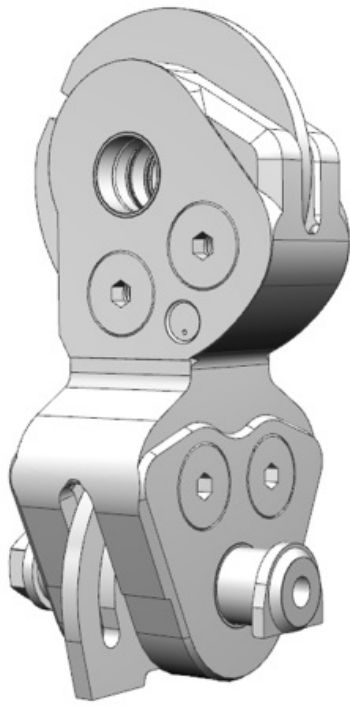
Dual swing damper S-80/45 HD M52

Technical data

Part No.	5016108	
Brake against rotator	Disc brake	
Brake against crane tip	Disc brake	
Upper interface	80 mm	
Lower interface	100 mm	
	Weight	32 kg
	Max axial load, static	160 kN

The product is supplied with upper and lower bushings and a lower pin.

We reserve the right to make product changes.



Dual swing damper S-80/45 HD M52

A	100 mm
B	Ø45 mm
C	Ø45 mm
G	80 mm



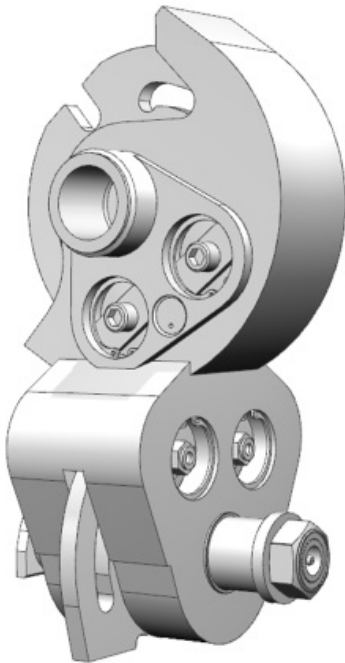
Dual swing damper S-CRC HD

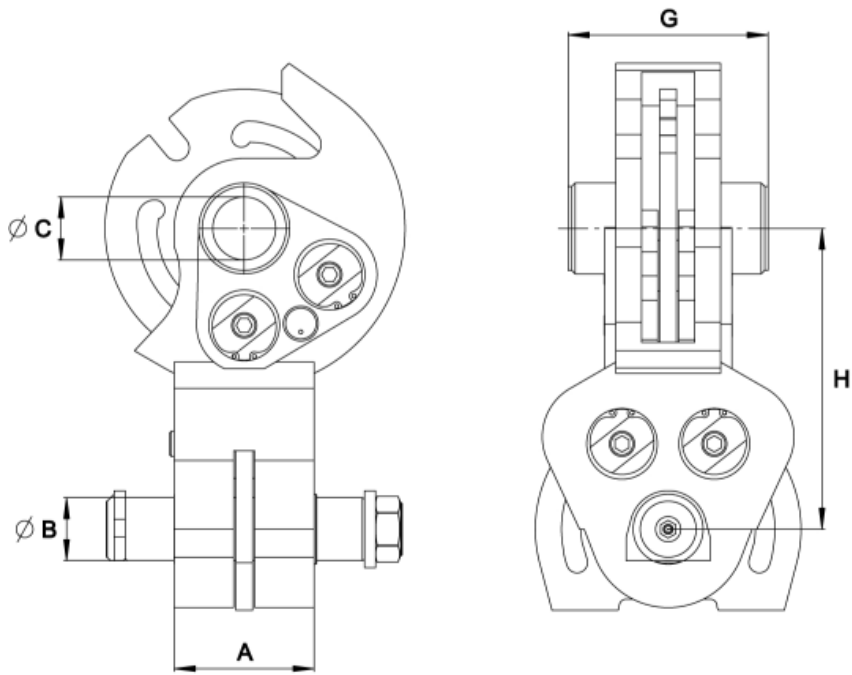
Technical data

Part No.	5006705
Brake against rotator	Disc brake
Brake against crane tip	Disc brake
Upper interface	143 mm
Lower interface	100 mm

The product is supplied with upper and lower bushings and a lower pin.

We reserve the right to make product changes.





Dual swing damper S-CRC HD

A	100 mm
B	Ø45 mm
C	Ø45 mm
G	143 mm
H	215 mm

По вопросам продаж и поддержки обращайтесь: itd@nt-rt.ru

www.indexator.nt-rt.ru

Архангельск (8182)63-90-72
Астана (7172)727-132
Астрахань (8512)99-46-04
Барнаул (3852)73-04-60
Белгород (4722)40-23-64
Брянск (4832)59-03-52
Владивосток (423)249-28-31
Волгоград (844)278-03-48
Вологда (8172)26-41-59
Воронеж (473)204-51-73
Екатеринбург (343)384-55-89
Иваново (4932)77-34-06
Ижевск (3412)26-03-58
Иркутск (395)279-98-46
Казань (843)206-01-48
Калининград (4012)72-03-81
Калуга (4842)92-23-67
Кемерово (3842)65-04-62

Киров (8332)68-02-04
Краснодар (861)203-40-90
Красноярск (391)204-63-61
Курск (4712)77-13-04
Липецк (4742)52-20-81 Магнитогорск
(3519)55-03-13 Москва
(495)268-04-70
Мурманск (8152)59-64-93
Набережные Челны (8552)20-53-41
Нижний Новгород (831)429-08-12
Новокузнецк (3843)20-46-81
Новосибирск (383)227-86-73 Омск
(3812)21-46-40
Орел (4862)44-53-42
Оренбург (3532)37-68-04
Пенза (8412)22-31-16
Пермь (342)205-81-47
Ростов-на-Дону (863)308-18-15
Рязань (4912)46-61-64

Самара (846)206-03-16
Санкт-Петербург (812)309-46-40
Саратов (845)249-38-78
Севастополь (8692)22-31-93
Симферополь (3652)67-13-56
Смоленск (4812)29-41-54 Сочи
(862)225-72-31 Ставрополь
(8652)20-65-13 Сургут
(3462)77-98-35
Тверь (4822)63-31-35
Томск (3822)98-41-53
Тула (4872)74-02-29
Тюмень (3452)66-21-18
Ульяновск (8422)24-23-59 Уфа
(347)229-48-12 Хабаровск
(4212)92-98-04
Челябинск (351)202-03-61
Череповец (8202)49-02-64
Ярославль (4852)69-52-93

Казахстан (7273)495-231

Киргизия (996)312-96-26-47

Таджикистан (992)427-82-92-69